

Trinity Glass International

GLAZED FIBERGLASS DOOR

IMPACT OUTSWING

INSTALLATION NOTES:

- ONE (1) INSTALLATION ANCHOR IS REQUIRED AT EACH ANCHOR LOCATION SHOWN.
- THE NUMBER OF INSTALLATION ANCHORS DEPICTED IS THE MINIMUM NUMBER OF ANCHORS TO BE USED FOR PRODUCT INSTALLATION OF THE MAXIMUM SIZE LISTED.
- INSTALL INDIVIDUAL INSTALLATION ANCHORS WITHIN A TOLERANCE OF ±1/2 INCH (I.E., WITHOUT CONSIDERATION OF TOLERANCES). TOLERANCES ARE NOT CUMULATIVE FROM ONE INSTALLATION ANCHOR TO THE NEXT.
- SHIM AS REQUIRED AT EACH INSTALLATION ANCHOR WITH LOAD BEARING SHIM(S). MAXIMUM ALLOWABLE SHIM STACK TO BE 1/4 INCH. SHIM WHERE SPACE OF 1/16 INCH OR GREATER OCCURS. SHIM(S) SHALL BE CONSTRUCTED OF HIGH DENSITY PLASTIC OR BETTER.
- THROUGH FRAME: FOR INSTALLATION INTO 2X WOOD FRAMING USE MINIMUM #10 WOOD SCREWS OF SUFFICIENT LENGTH TO ACHIEVE 1 1/2" MINIMUM EMBEDMENT INTO WOOD SUBSTRATE. MINIMUM EDGE DISTANCE OF 3/4" SHALL BE MAINTAINED.
- THROUGH FRAME: FOR INSTALLATION INTO CONCRETE/MASONRY, USE 1/4" ITW TAPCONS OR 1/4" ELCO ULTRACONS OR 3/16" ITW TAPCONS OF SUFFICIENT LENGTH TO ACHIEVE 1 1/4" MINIMUM EMBEDMENT INTO CONCRETE/MASONRY.
- MINIMUM EMBEDMENT AND EDGE DISTANCE EXCLUDE WALL FINISHES, INCLUDING BUT NOT LIMITED TO STUCCO, FOAM, BRICK VENEER, AND SIDING.
- INSTALLATION ANCHORS AND ASSOCIATED HARDWARE MUST BE MADE OF CORROSION RESISTANT MATERIAL OR HAVE A CORROSION RESISTANT COATING.
- FOR HOLLOW BLOCK AND GROUT FILLED BLOCK, DO NOT INSTALL INSTALLATION ANCHORS INTO MORTAR JOINTS. EDGE DISTANCE IS MEASURED FROM FREE EDGE OF BLOCK OR EDGE OF MORTAR JOINT INTO FACE SHELL OF BLOCK.
- INSTALLATION ANCHORS SHALL BE INSTALLED IN ACCORDANCE WITH ANCHOR MANUFACTURER'S INSTALLATION INSTRUCTIONS, AND ANCHORS SHALL NOT BE USED IN SUBSTRATES WITH STRENGTHS LESS THAN THE MINIMUM STRENGTH SPECIFIED BY THE ANCHOR MANUFACTURER.
- INSTALLATION ANCHOR CAPACITIES FOR PRODUCTS HEREIN ARE BASED ON SUBSTRATE MATERIALS WITH THE FOLLOWING PROPERTIES:
 - WOOD - MINIMUM SPECIFIC GRAVITY OF 0.55.
 - CONCRETE - MINIMUM 3000 PSI COMPRESSIVE STRENGTH
 - HOLLOW/GROUT FILLED CMU - STRENGTH CONFORMANCE TO ASTM C90, MIN. F'm = 2000 PSI.

GENERAL NOTES:

- THE PRODUCT SHOWN HEREIN IS DESIGNED AND MANUFACTURED TO COMPLY WITH THE CURRENT FLORIDA BUILDING CODE (FBC), INCLUDING HVHZ AND HAS BEEN EVALUATED ACCORDING TO THE FOLLOWING:
 - TAS 201-94
 - TAS 202-94
 - TAS 203-94
 - ASTM E283-04
 - ASTM E330-02
 - ASTM E331-00
 - AAMA 1304-02
- ADEQUACY OF THE EXISTING STRUCTURAL CONCRETE/MASONRY AND 2X FRAMING AS A MAIN WIND FORCE RESISTING SYSTEM CAPABLE OF WITHSTANDING AND TRANSFERRING APPLIED PRODUCT LOADS TO THE FOUNDATION IS THE RESPONSIBILITY OF THE ENGINEER OR ARCHITECT OF RECORD FOR THE PROJECT OF INSTALLATION.
- 1X AND 2X BUCKS (WHEN USED) SHALL BE DESIGNED AND ANCHORED TO PROPERLY TRANSFER ALL LOADS TO THE STRUCTURE. BUCK DESIGN AND INSTALLATION IS THE RESPONSIBILITY OF THE ENGINEER OR ARCHITECT OF RECORD FOR THE PROJECT OF INSTALLATION.
- THE INSTALLATION DETAILS DESCRIBED HEREIN ARE GENERIC AND MAY NOT REFLECT ACTUAL CONDITIONS FOR A SPECIFIC SITE. IF SITE CONDITIONS CAUSE INSTALLATION TO DEVIATE FROM THE REQUIREMENTS DETAILED HEREIN, A LICENSED ENGINEER OR ARCHITECT SHALL PREPARE SITE SPECIFIC DOCUMENTS FOR USE WITH THIS DOCUMENT IN NON-HVHZ AREAS.
- APPROVED IMPACT PROTECTIVE SYSTEM **IS NOT REQUIRED** FOR THIS PRODUCT.
- FRAME & MULLION MATERIAL: WOOD OR PVC
- CLADDING MATERIAL: FIBERGLASS

TABLE OF CONTENTS	
SHEET #	DESCRIPTION
1	General notes
2	Typical elevations, design pressures
3	Typical elevations, design pressures
4	Typical elevations, design pressures
5	Typical elevations, design pressures
6	Door panel construction details
7	Sidelite panel construction details
8	Glazing details
9	Vertical cross sections
10	Vertical cross sections
11	Horizontal cross sections
12	Horizontal cross sections
13	Horizontal cross sections
14	Vertical & Horizontal cross sections
15	Horizontal cross sections
16	Buck & Frame anchoring
17	Buck anchoring
18	Frame anchoring
19	Frame anchoring
20	Frame anchoring
21	Buck anchoring
22	Frame anchoring
23	Frame anchoring
24	Buck anchoring
25	Frame anchoring
26	Components
27	Components
28	Components
29	Bill of materials

TITLE: GLAZED FIBERGLASS DOOR
IMPACT OUTSWING

GENERAL NOTES

PREPARED BY:
BUILDING DROPS, INC.
398 E. DANIA BEACH BLVD. #338
DANIA BEACH, FL 33004
PH: (954) 399-8478 FX: (954) 744-4738

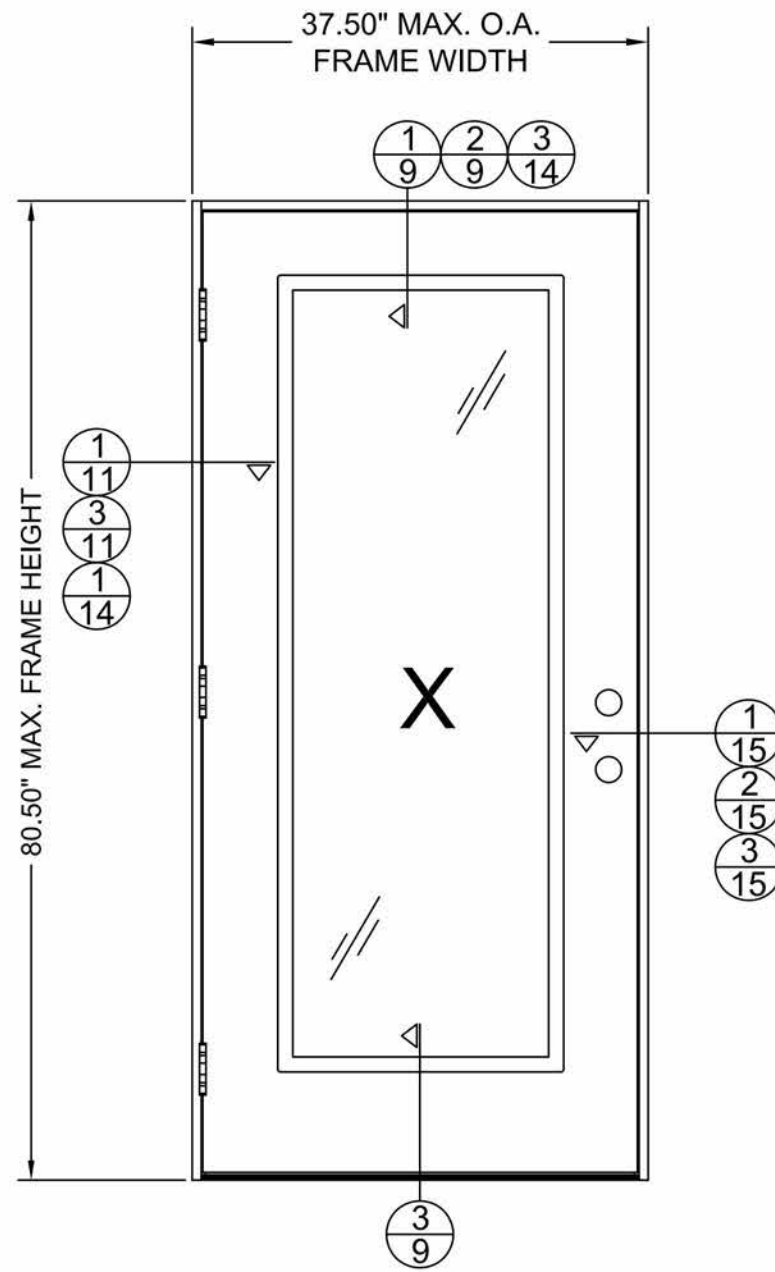
REVISIONS	DESCRIPTION	BY	DATE
		NO.	



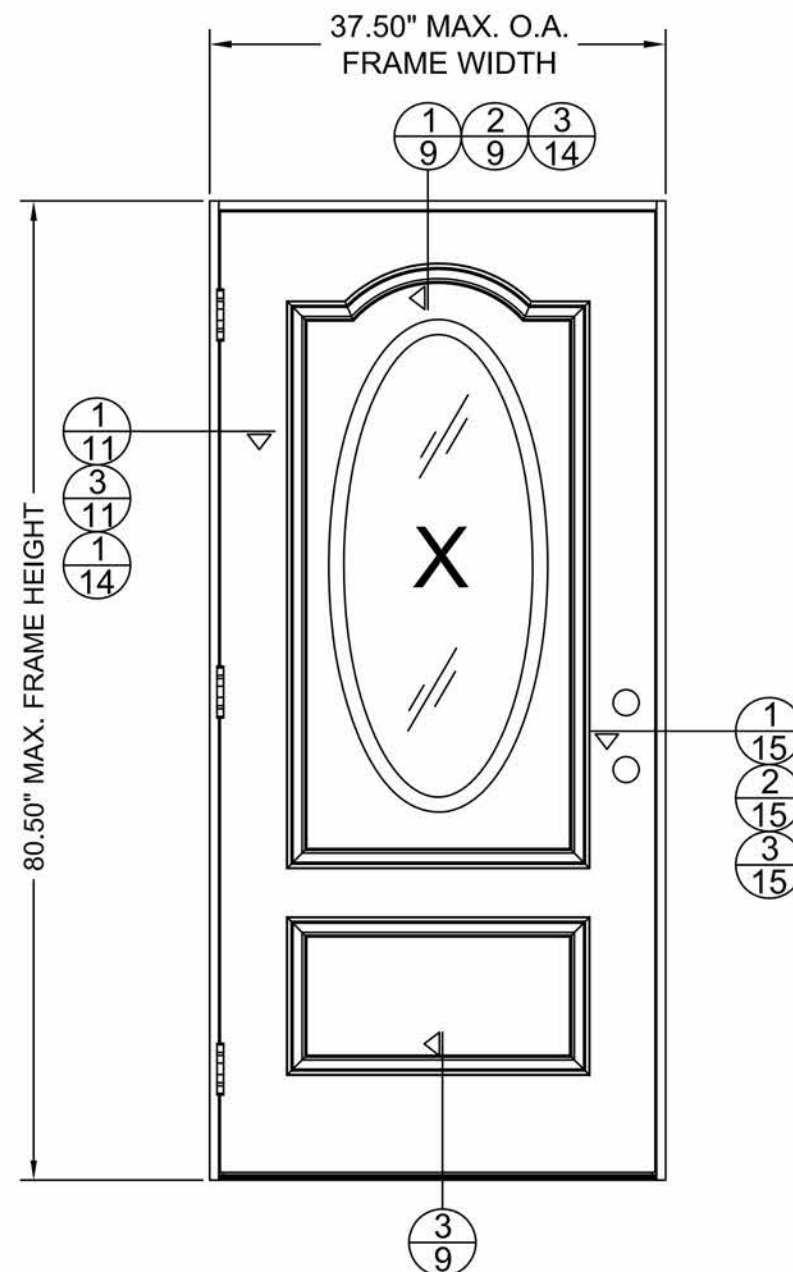
DATE: 07.14.16
DWN BY: LS
CHK BY: HFN
SCALE: NTS

DWG #: **FL-20867.1**
SHEET: **1 OF 29**

Digitally signed by Hermes F. Norero, P.E.
Reason: I am approving this document
Date: 2016.08.26 14:33:11 -04'00'



DOOR WITH RECTANGULAR LITE



DOOR WITH OVAL LITE

MAX. FRAME DIMENSION	LITE TYPE	DESIGN PRESSURE (PSF)	
		POSITIVE	NEGATIVE
37.50" X 80.50"	RECTANGULAR	+60.0	-60.0
	OVAL	+75.0	-75.0

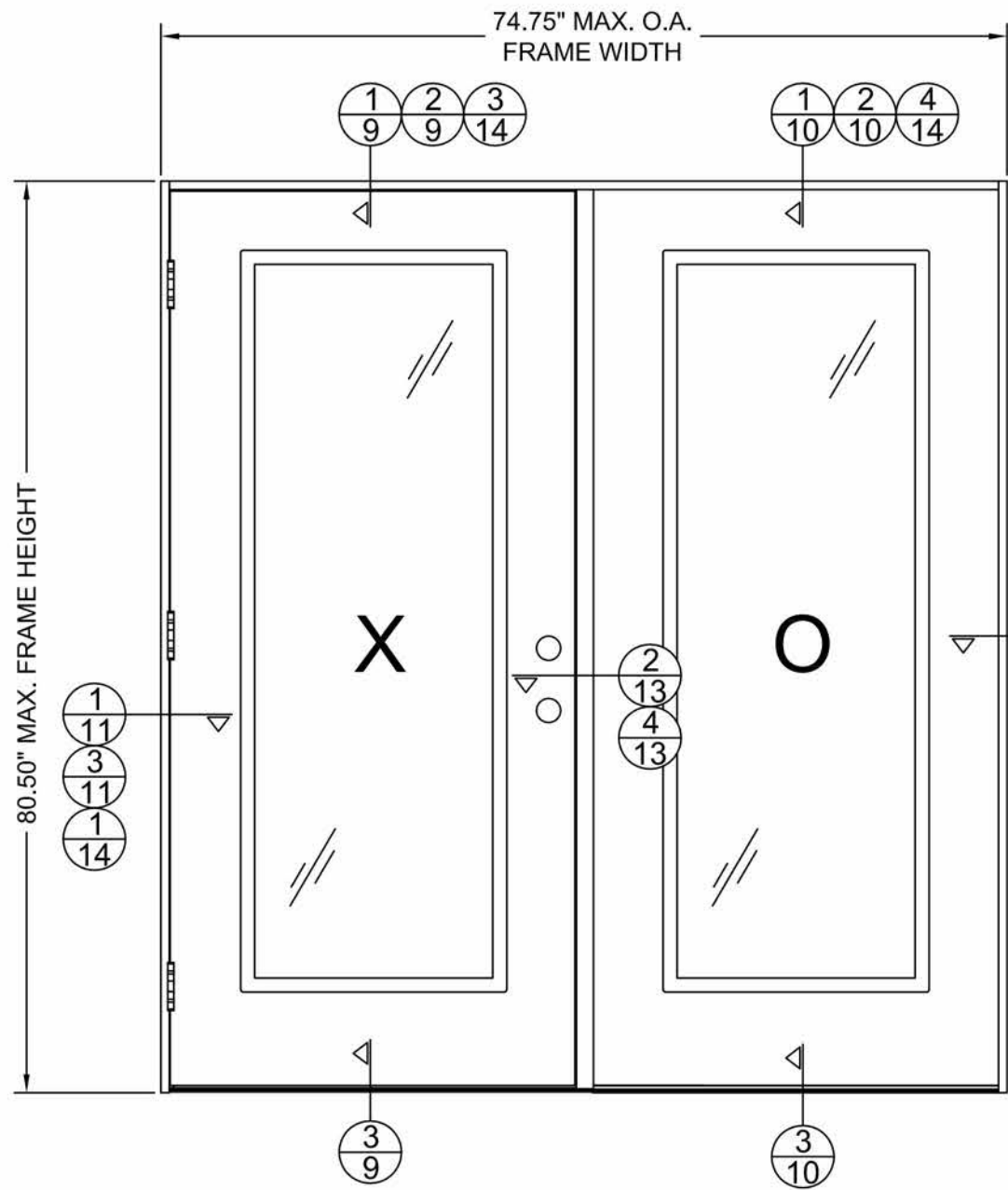
TITLE: GLAZED FIBERGLASS DOOR
IMPACT OUTSWING
TYPICAL ELEVATION AND
DESIGN PRESSURE
PREPARED BY:
BUILDING DROPS, INC.
398 E. DANIA BEACH BLVD. #338
DANIA BEACH, FL 33004
PH: (954) 399-8478 FX: (954) 744-4738

REVISIONS		BY	DATE
NO.	DESCRIPTION		

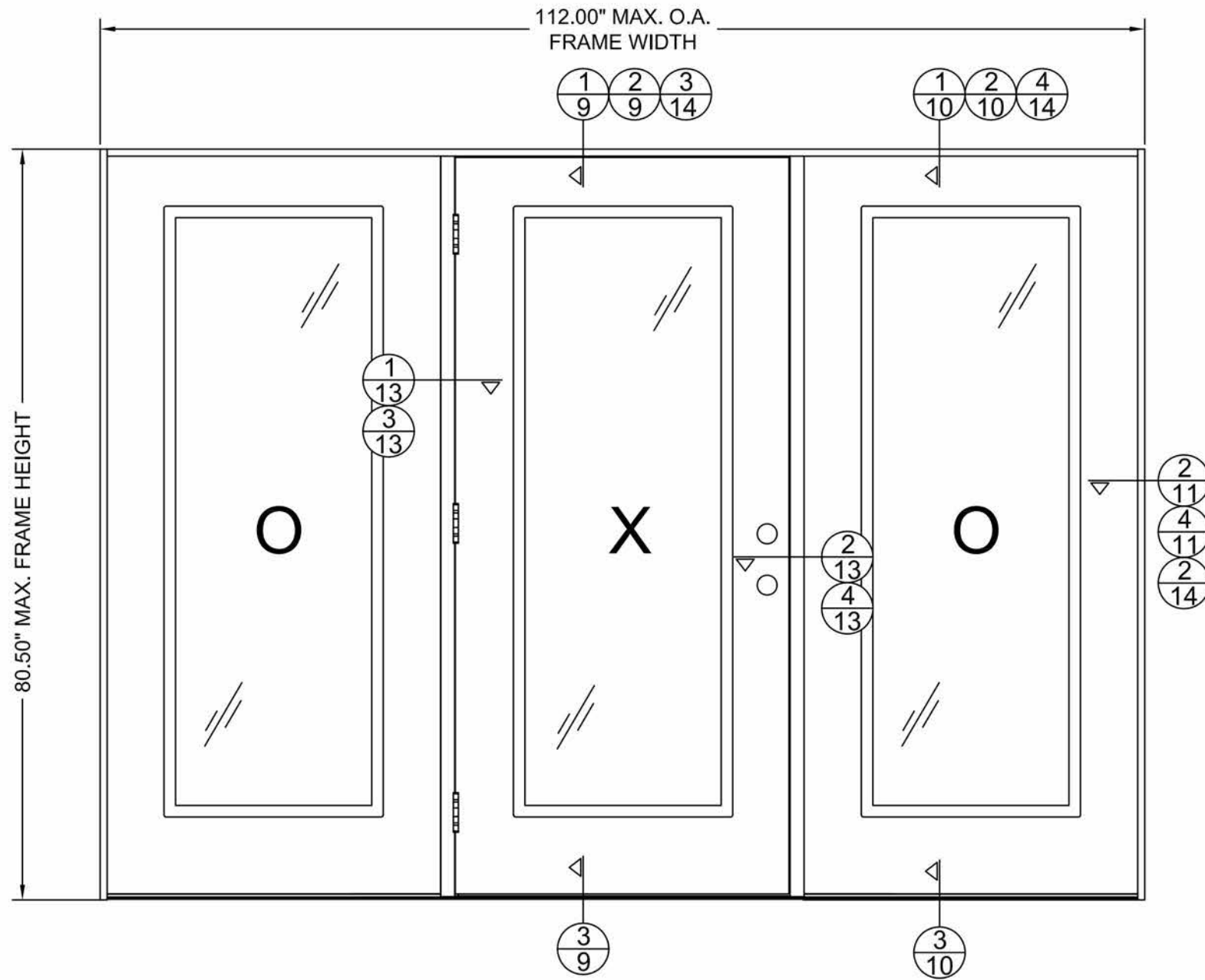


DATE: 07.14.16
DWN BY: LS
CHK BY: HFN
SCALE: NTS

DWG #:
FL-20867.1
SHEET: **2 OF 29**



CONTINUOUS HEADER AND SILL



CONTINUOUS HEADER AND SILL

CONFIGURATION	MAX. FRAME DIMENSION	JAMB & MULLION TYPE	DESIGN PRESSURE (PSF)	
			POSITIVE	NEGATIVE
OX/XO	74.75" X 80.50"	WOOD	+60.0	-70.0
		PVC	+55.0	-55.0
OXO	112.00" X 80.50"	WOOD	+55.0	-55.0
		PVC	+55.0	-55.0

TITLE: GLAZED FIBERGLASS DOOR
IMPACT OUTSWING

TYPICAL ELEVATION AND
DESIGN PRESSURE

PREPARED BY:
BUILDING DROPS, INC.
398 E. DANIA BEACH BLVD. #338
DANIA BEACH, FL 33004
PH: (954) 399-8478 FX: (954) 744-4738

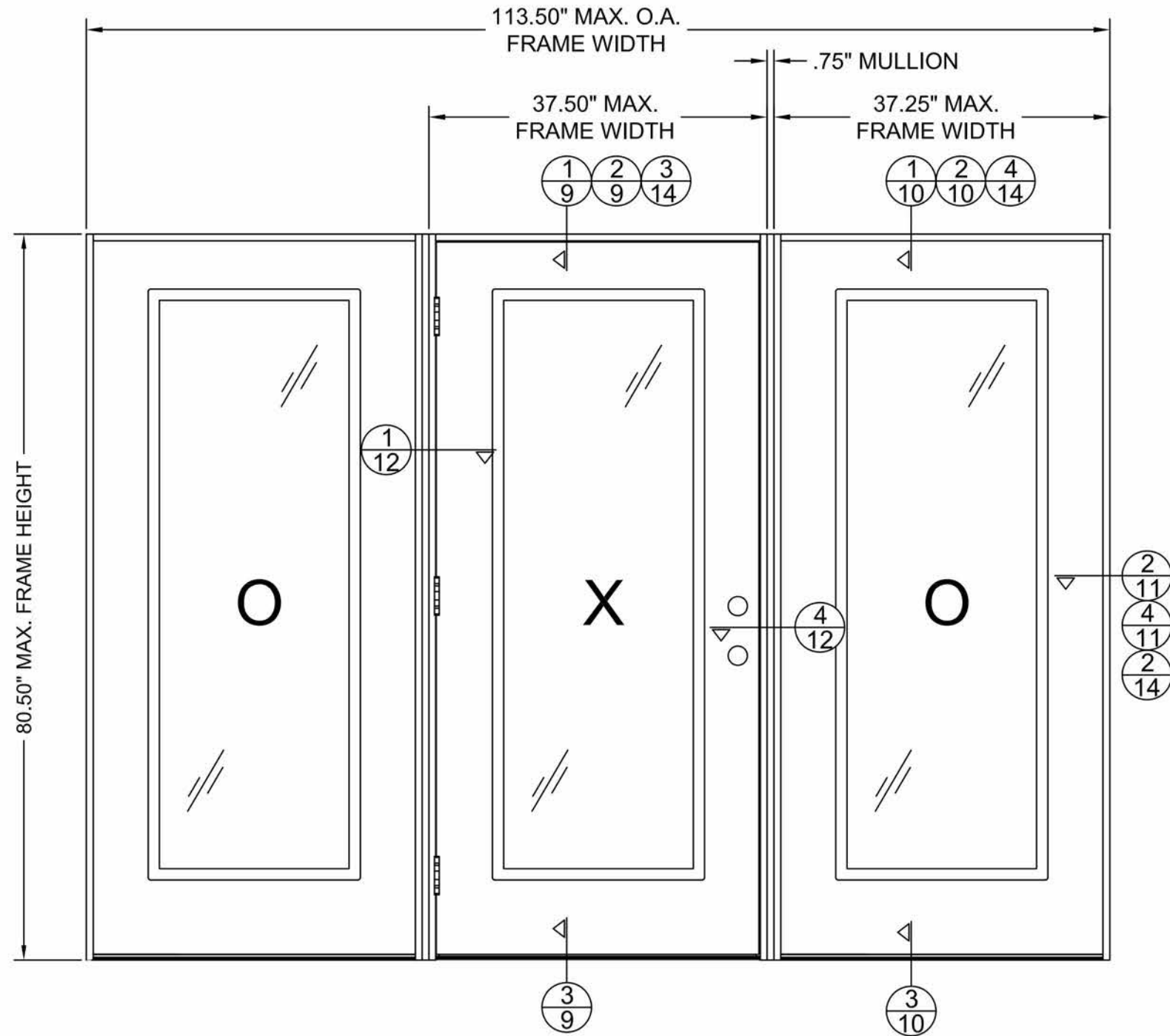
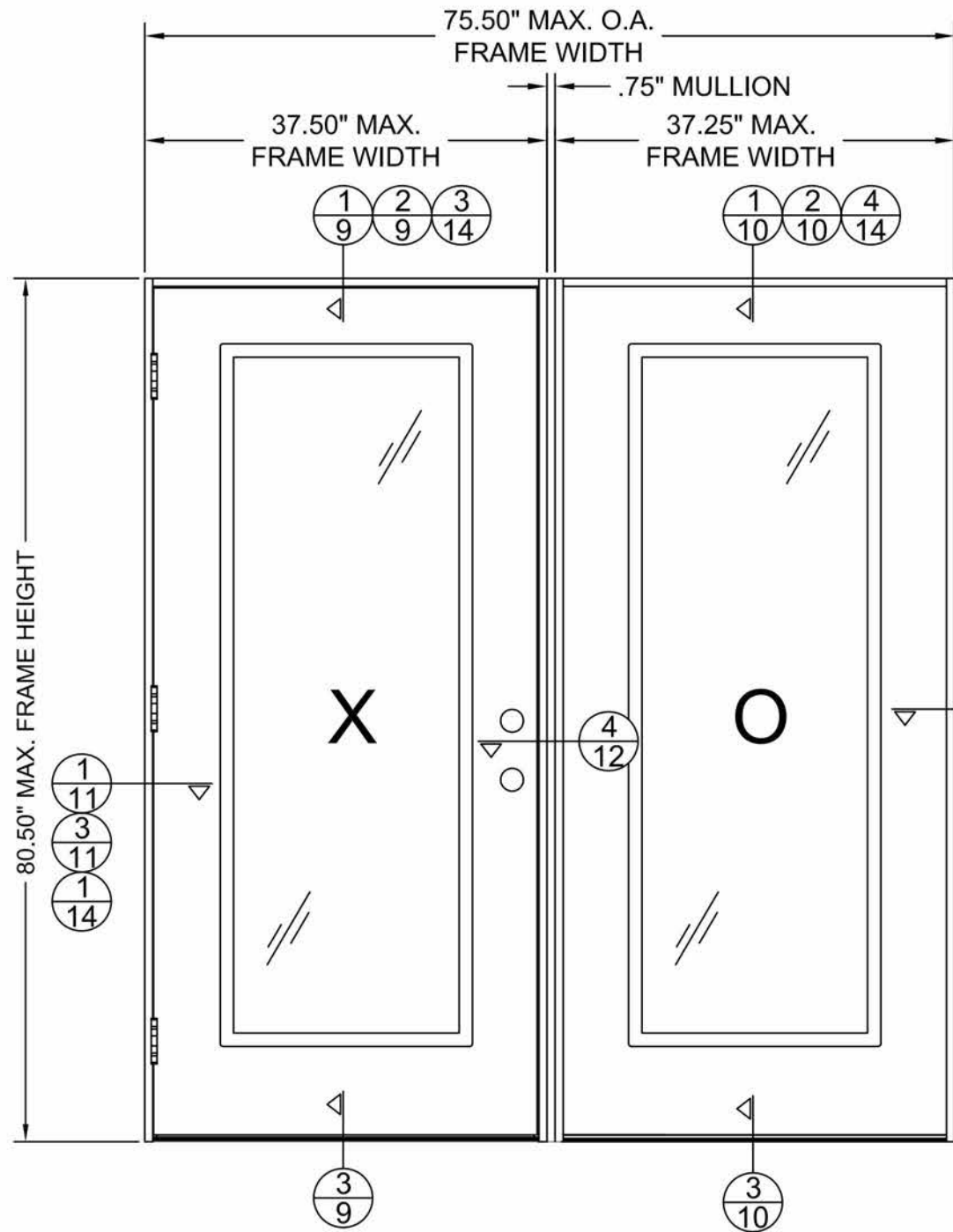
REVISIONS

NO.	DESCRIPTION	BY	DATE



DATE: 07.14.16
DWN BY: LS
CHK BY: HFN
SCALE: NTS

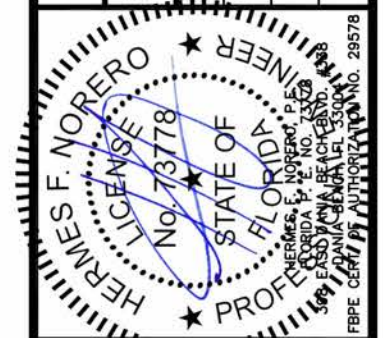
DWG #: **FL-20867.1**
SHEET: **3 OF 29**



CONFIGURATION	MAX. FRAME DIMENSION	JAMB & MULLION TYPE	DESIGN PRESSURE (PSF)	
			POSITIVE	NEGATIVE
OX/XO	75.50" X 80.50"	WOOD	+60.0	-70.0
		PVC	+55.0	-55.0
OXO	113.50" X 80.50"	WOOD	+55.0	-55.0
		PVC	+55.0	-55.0

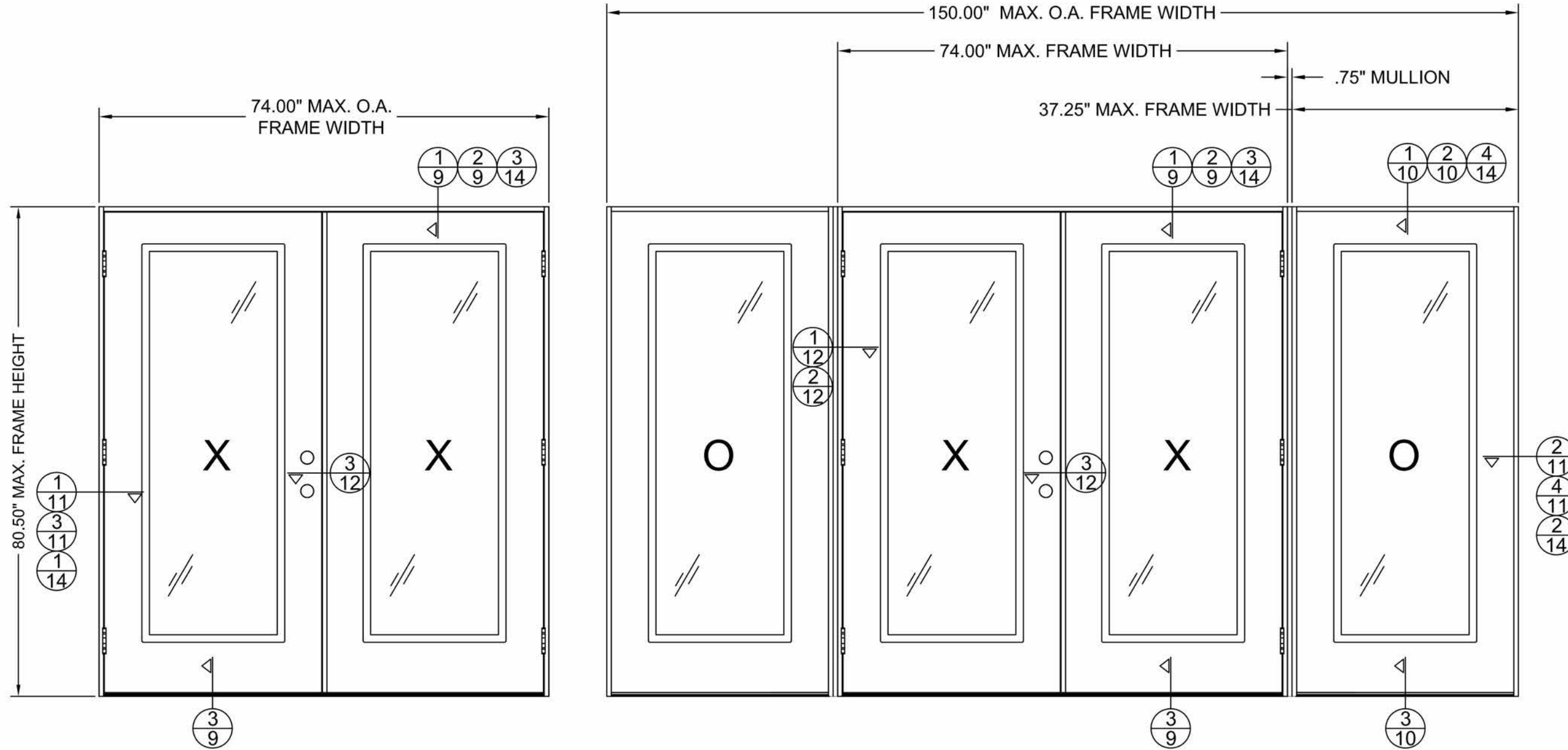
TITLE: GLAZED FIBERGLASS DOOR
IMPACT OUTSWING
TYPICAL ELEVATION AND
DESIGN PRESSURE
PREPARED BY:
BUILDING DROPS, INC.
398 E. DANIA BEACH BLVD. #338
DANIA BEACH, FL 33004
PH: (954) 399-8478 FX: (954) 744-4738

REVISIONS	
NO.	DESCRIPTION



DATE: 07.14.16
DWN BY: LS
CHK BY: HFN
SCALE: NTS

DWG #: FL-20867.1
SHEET: 4 OF 29



CONFIGURATION	MAX. FRAME DIMENSION	DESIGN PRESSURE (PSF) ALUMINUM ASTRAGAL		DESIGN PRESSURE (PSF) PVC ASTRAGAL	
		POSITIVE	NEGATIVE	POSITIVE	NEGATIVE
XX	74.00" X 80.50"	+55.0	-55.0	+47.0	-47.0
OXXO	150.00" X 80.50"	+55.0	-55.0	+47.0	-47.0

TITLE: GLAZED FIBERGLASS DOOR
IMPACT OUTSWING

TYPICAL ELEVATION AND
DESIGN PRESSURE

PREPARED BY:
BUILDING DROPS, INC.
398 E. DANIA BEACH BLVD. #338
DANIA BEACH, FL 33004
PH: (954) 399-8478 FX: (954) 744-4738

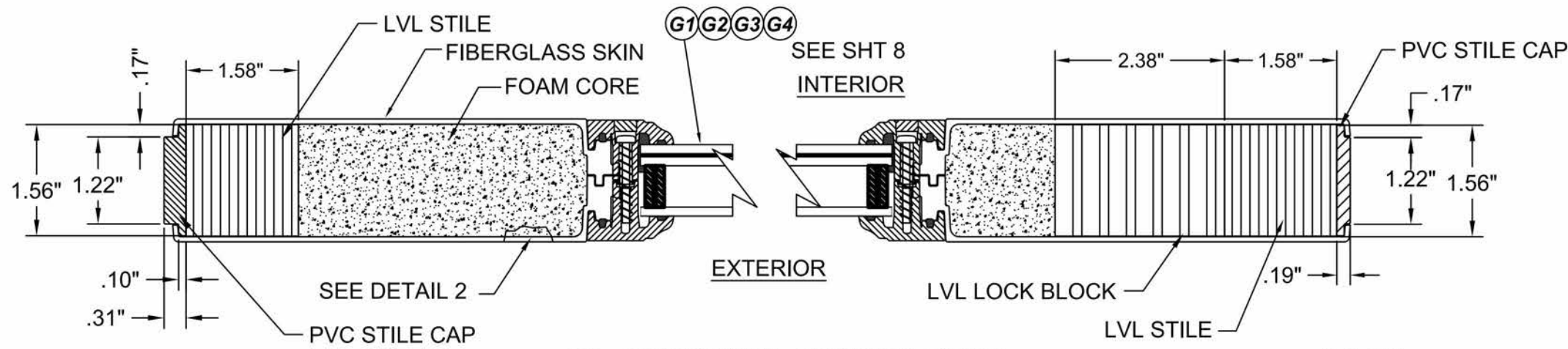
REVISIONS

NO.	DESCRIPTION	BY	DATE

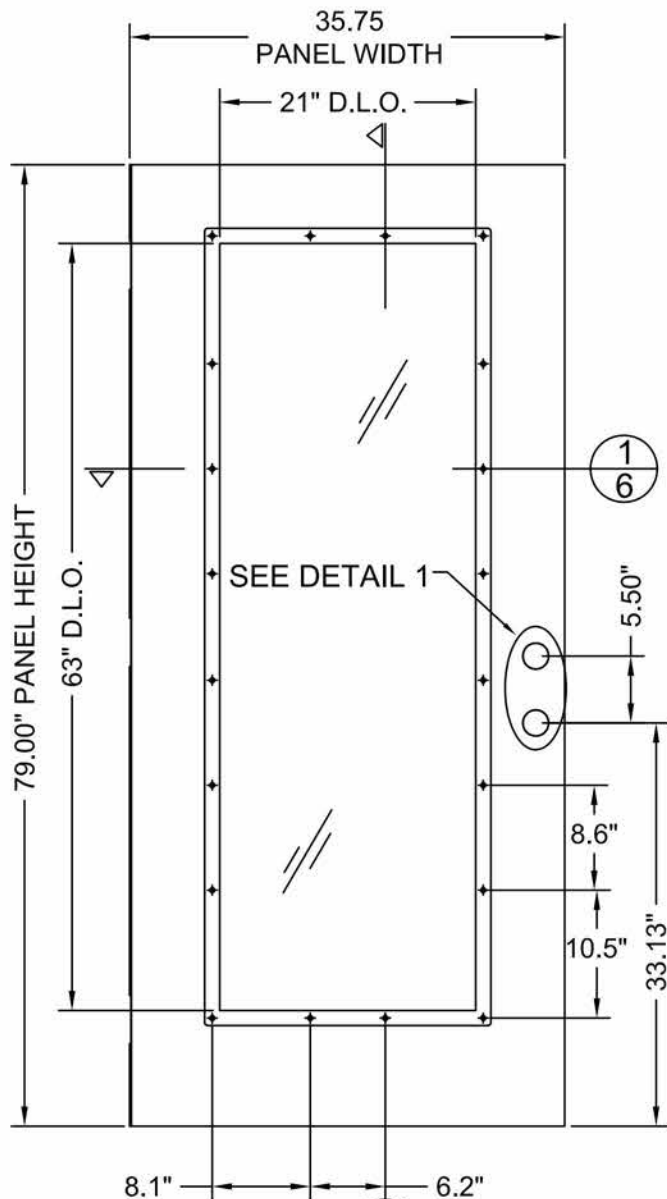


DATE: 07.14.16
DWN BY: LS
CHK BY: HFN
SCALE: NTS

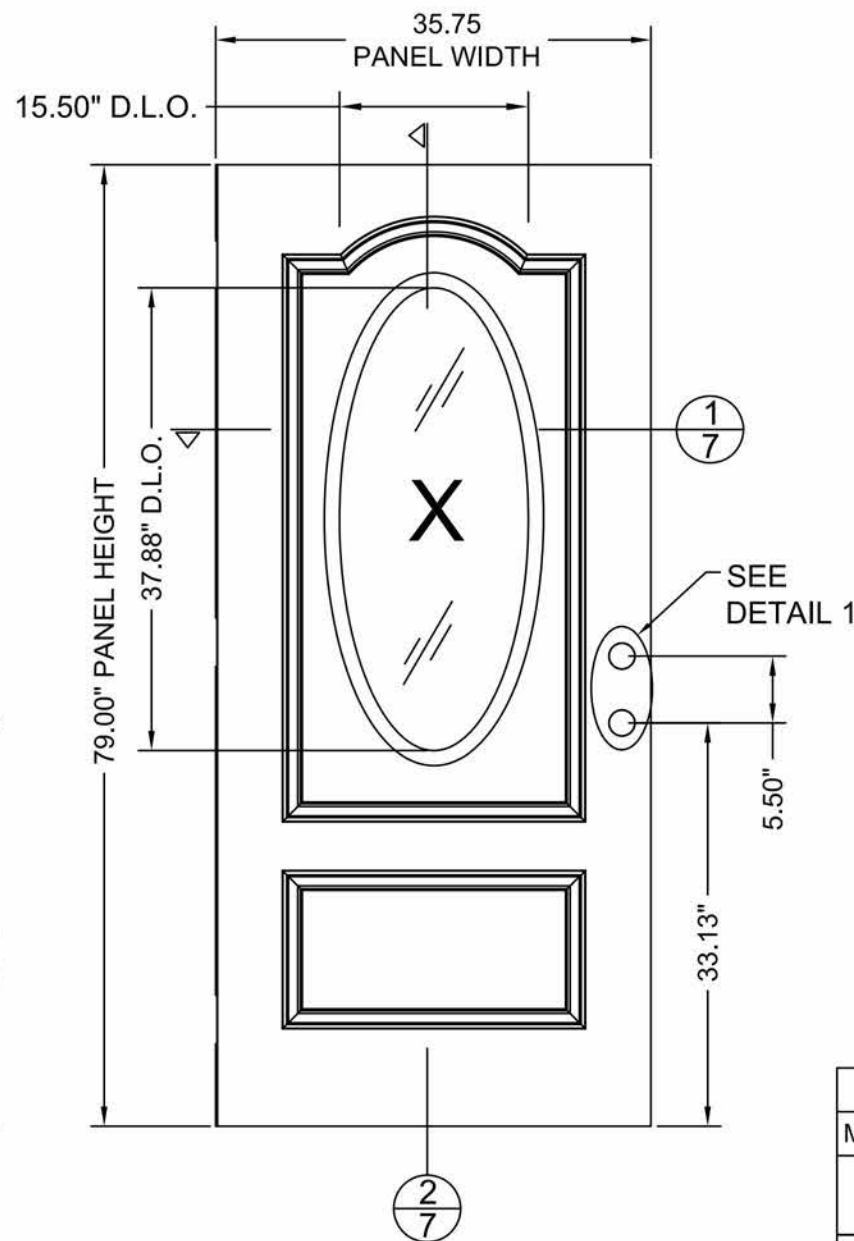
DWG #: **FL-20867.1**
SHEET: **5 OF 29**



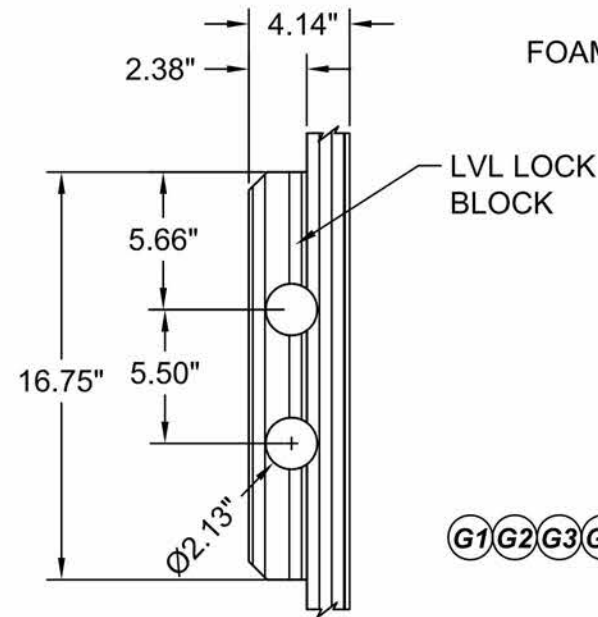
1
6 **HORIZONTAL CROSS SECTION**



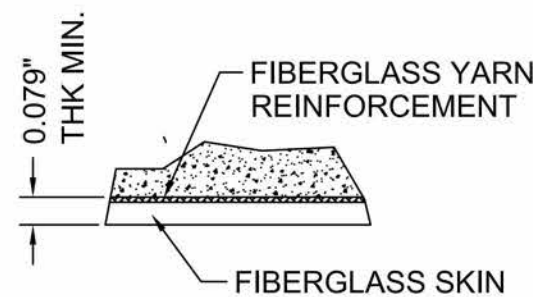
11 **GLAZED DOOR**
FIBERGLASS SKIN: 0.079" THICK MIN.
FOAM CORE: POLYURETHANE



11 **GLAZED DOOR**
FIBERGLASS SKIN: 0.079" THICK MIN.
FOAM CORE: POLYURETHANE

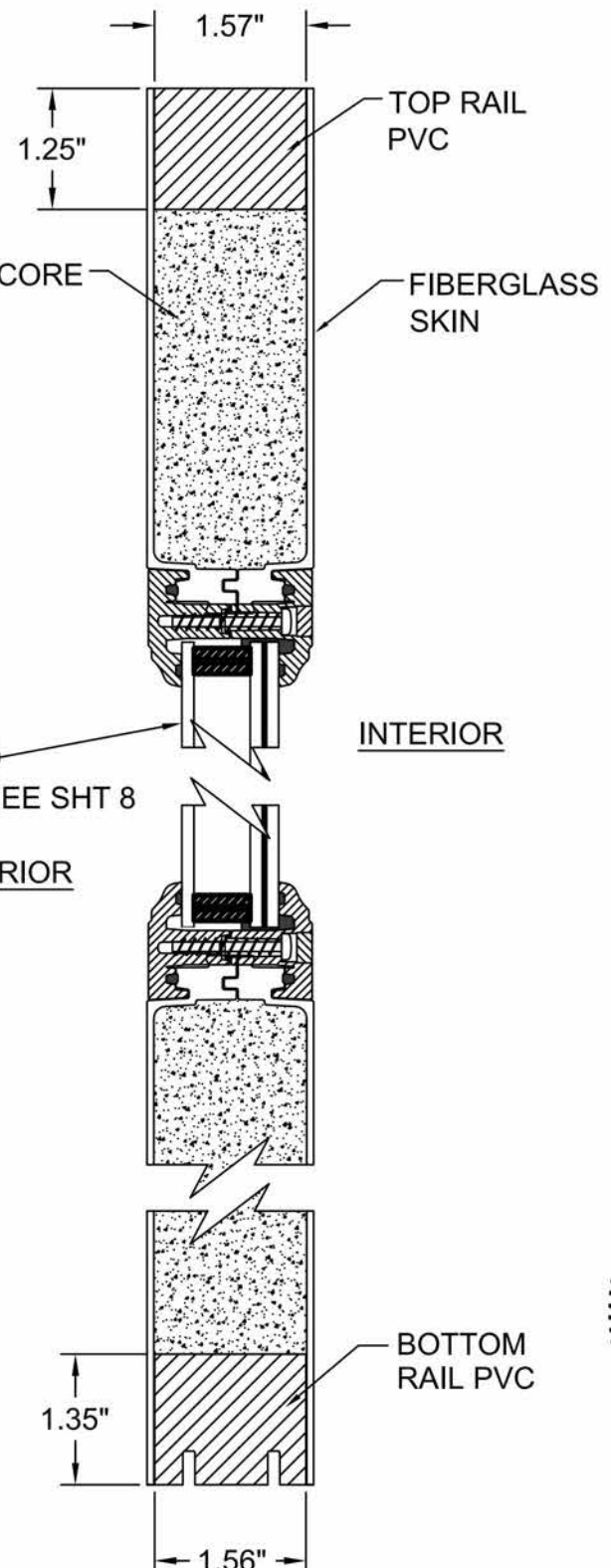


DETAIL 1



DETAIL 2

LOCKSET HARDWARE	
MANUFACTURER	MODEL
KWIKSET	LOCK & DEADBOLT COMBO SIGNATURE SERIES 991
KWIKSET	LOCK & DEADBOLT COMBO SIGNATURE SERIES 980
SCHLAGE	LOCK: F-SERIES DEADBOLT: B60 SERIES



2
6 **VERTICAL CROSS SECTION**

TITLE: GLAZED FIBERGLASS DOOR
IMPACT OUTSWING

DOOR PANEL
CONSTRUCTION DETAILS

PREPARED BY:
BUILDING DROPS, INC.
398 E. DANIA BEACH BLVD. #338
DANIA BEACH, FL 33004
PH: (954) 399-8478 FX: (954) 744-4738

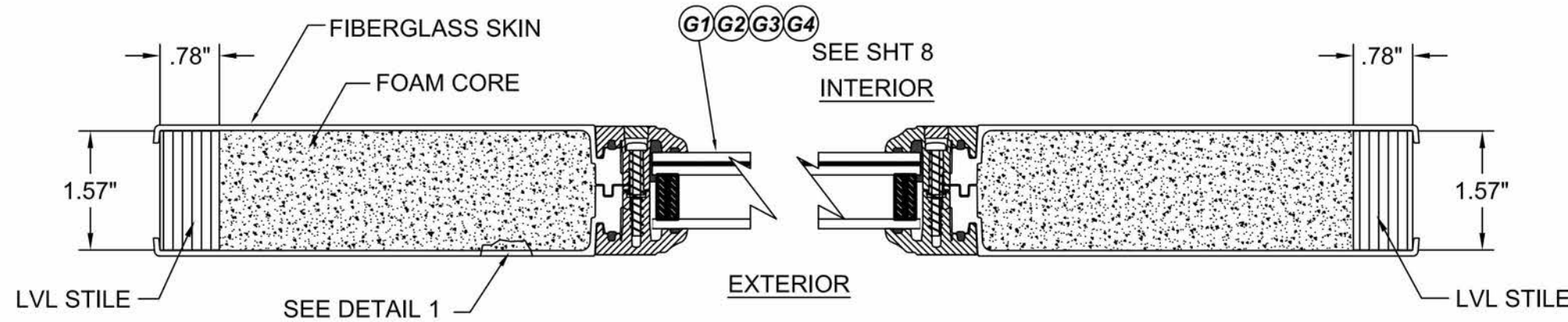
REVISIONS

NO.	DESCRIPTION	BY	DATE

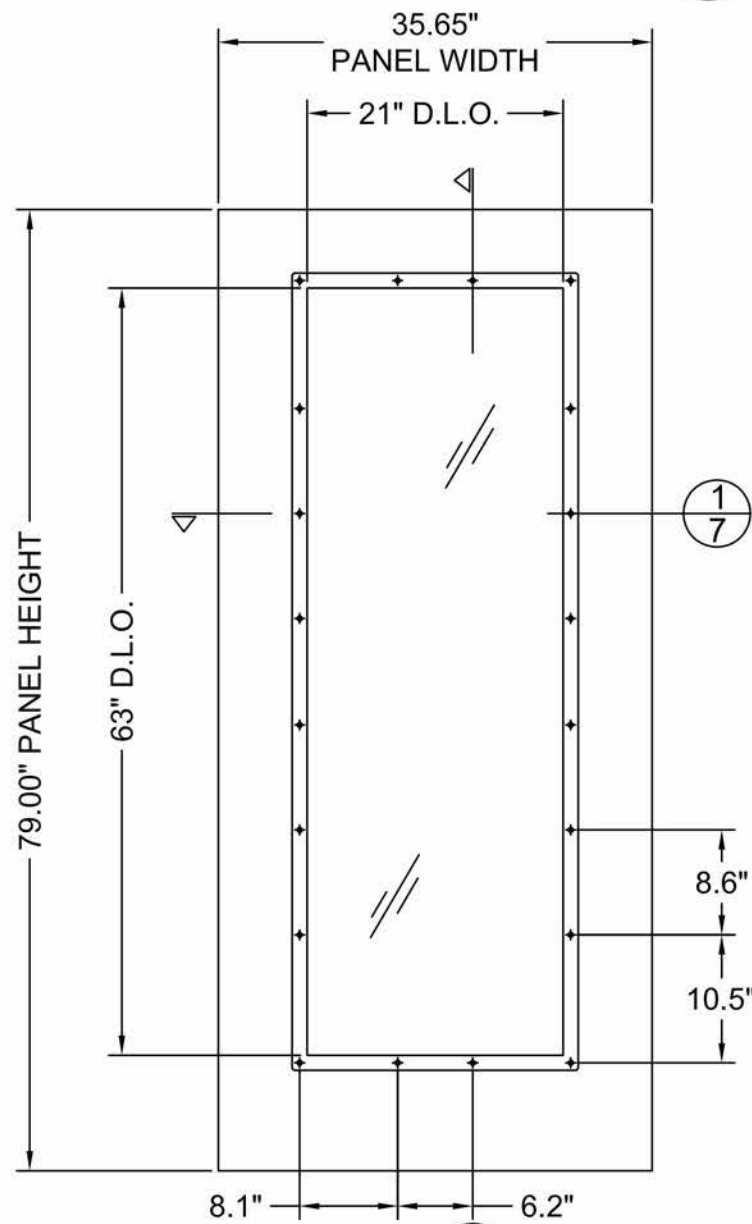


DATE: 07.14.16
DWN BY: LS
CHK BY: HFN
SCALE: NTS

DWG #: **FL-20867.1**
SHEET: **6 OF 29**

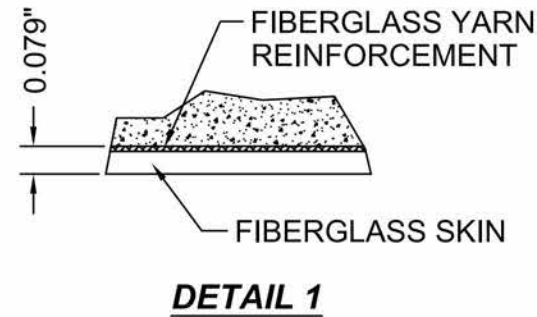


1
7 **HORIZONTAL CROSS SECTION**

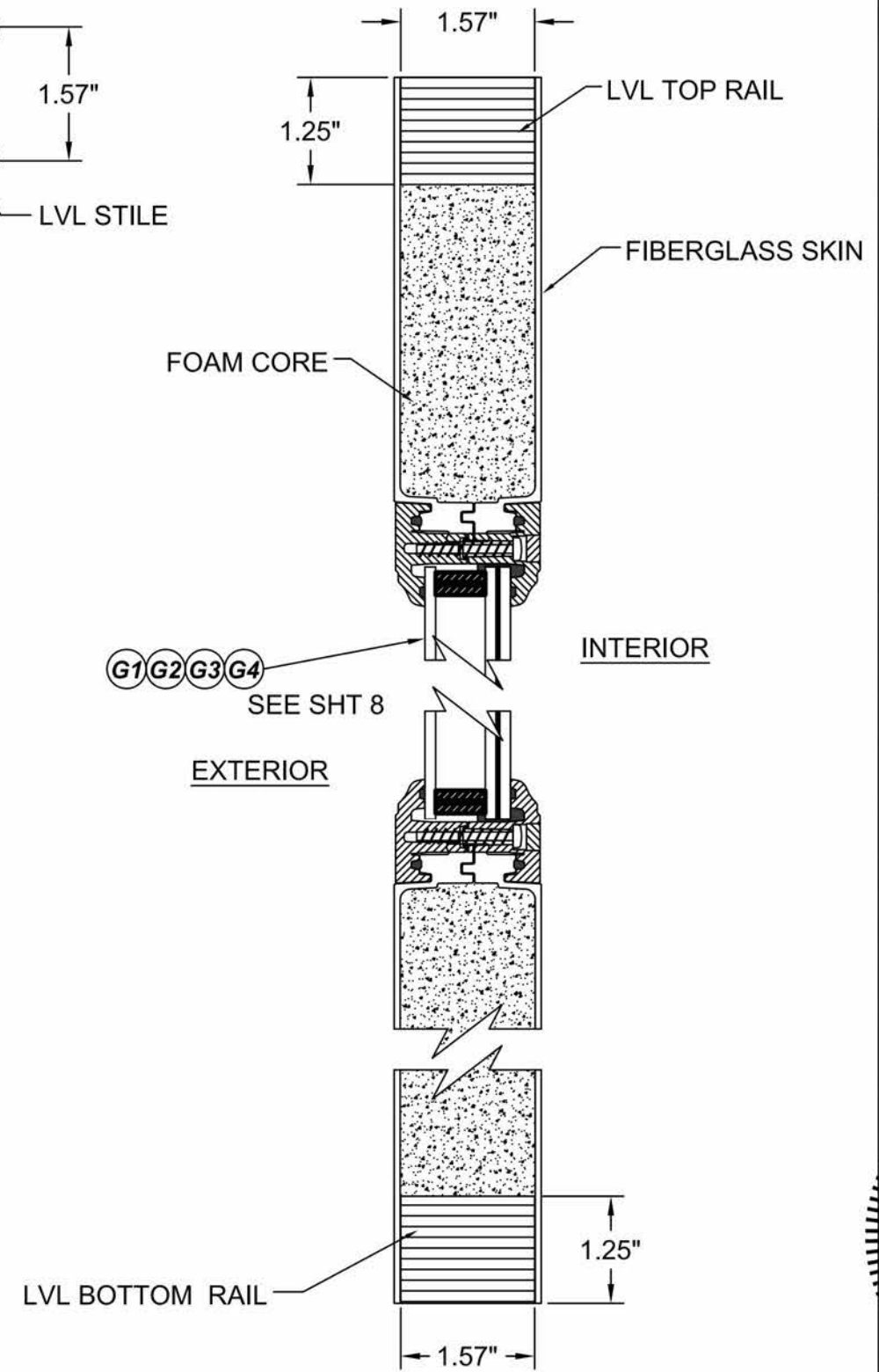


2
7

12 **SIDELITE PANEL**
FIBERGLASS SKIN: 0.079" THICK MIN.
FOAM CORE: POLYURETHANE



DETAIL 1



2
7 **VERTICAL CROSS SECTION**

TITLE: GLAZED FIBERGLASS DOOR
IMPACT OUTSWING
SIDELITE PANEL
CONSTRUCTION DETAILS
PREPARED BY:
BUILDING DROPS, INC.
398 E. DANIA BEACH BLVD. #338
DANIA BEACH, FL 33004
PH: (954) 399-8478 FX: (954) 744-4738

REVISIONS

NO.	DESCRIPTION	BY	DATE

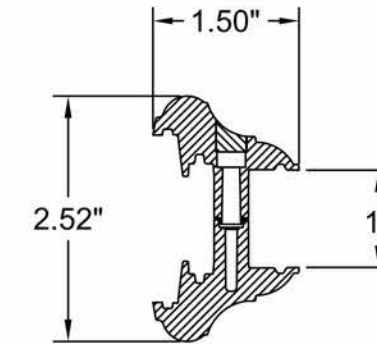
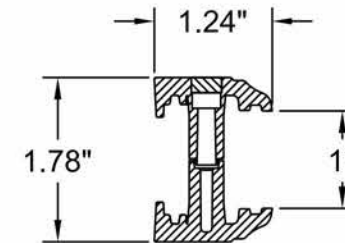
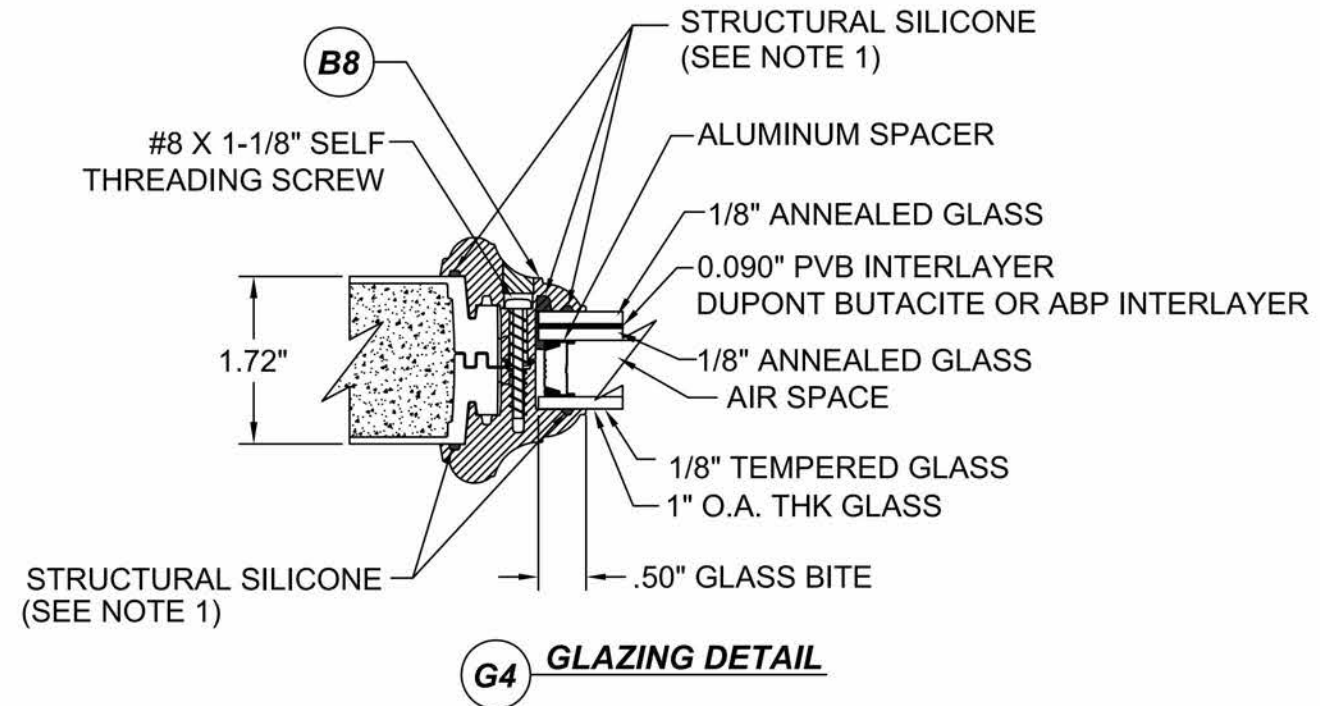
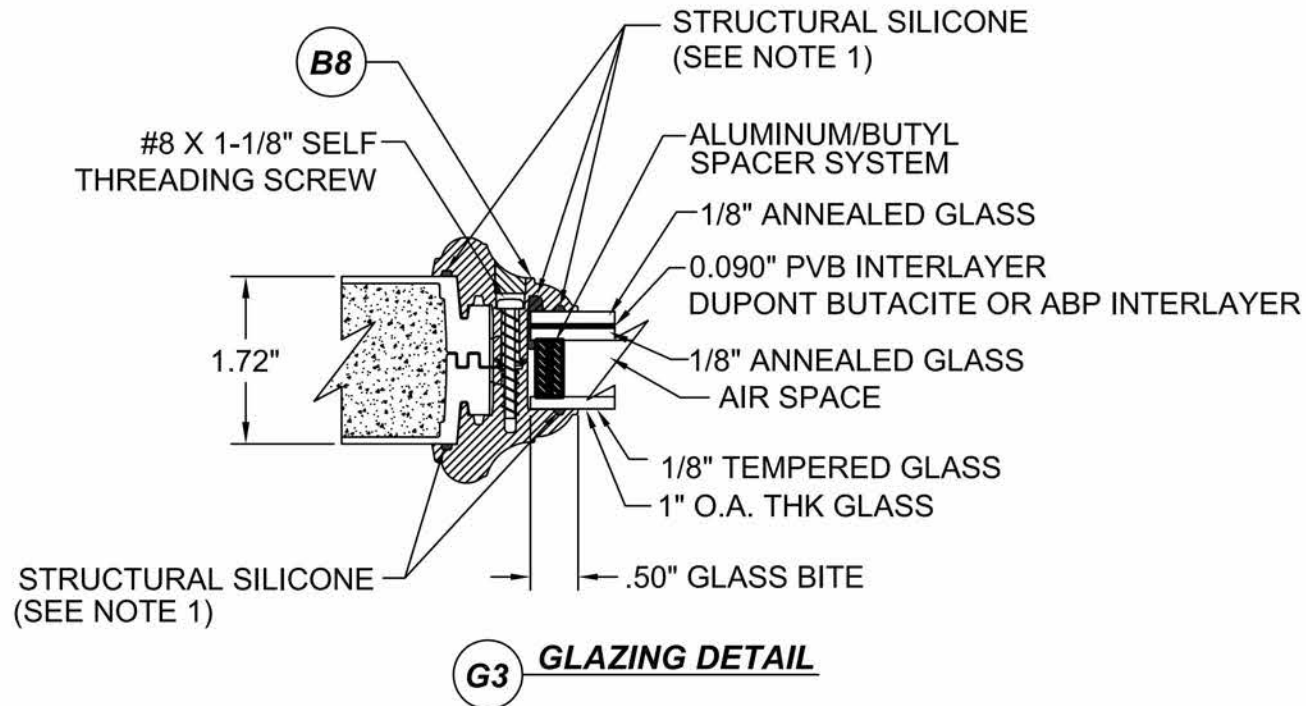
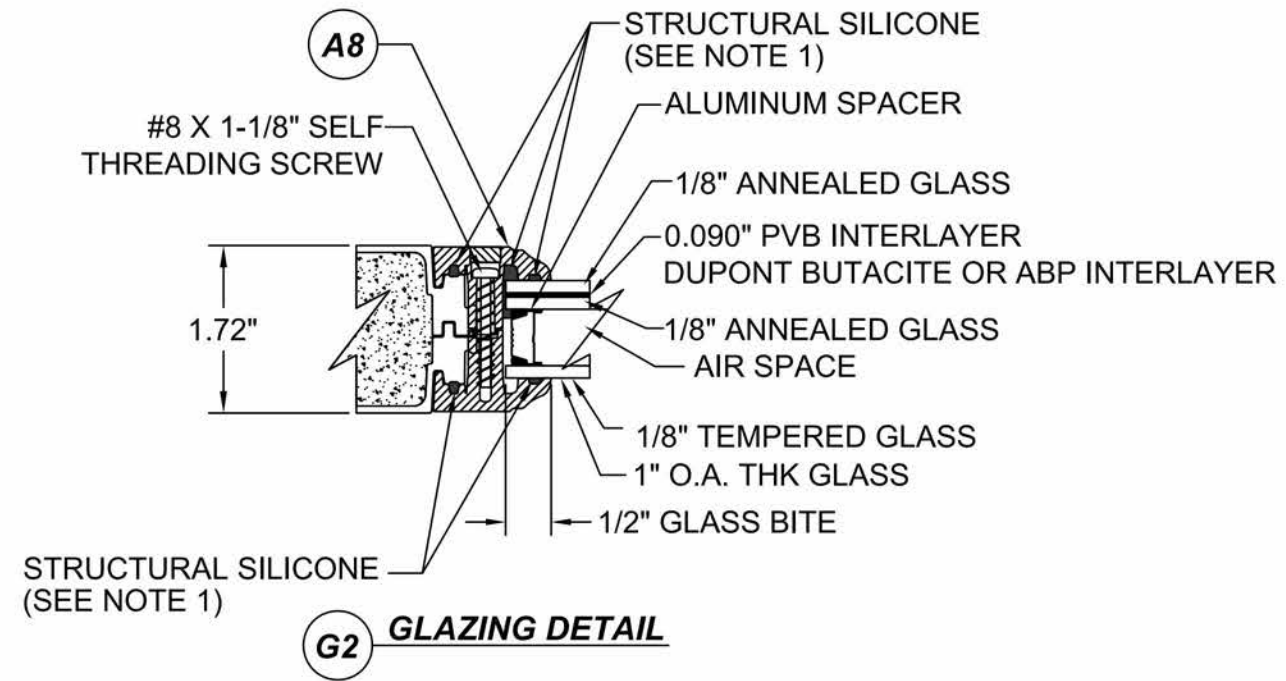
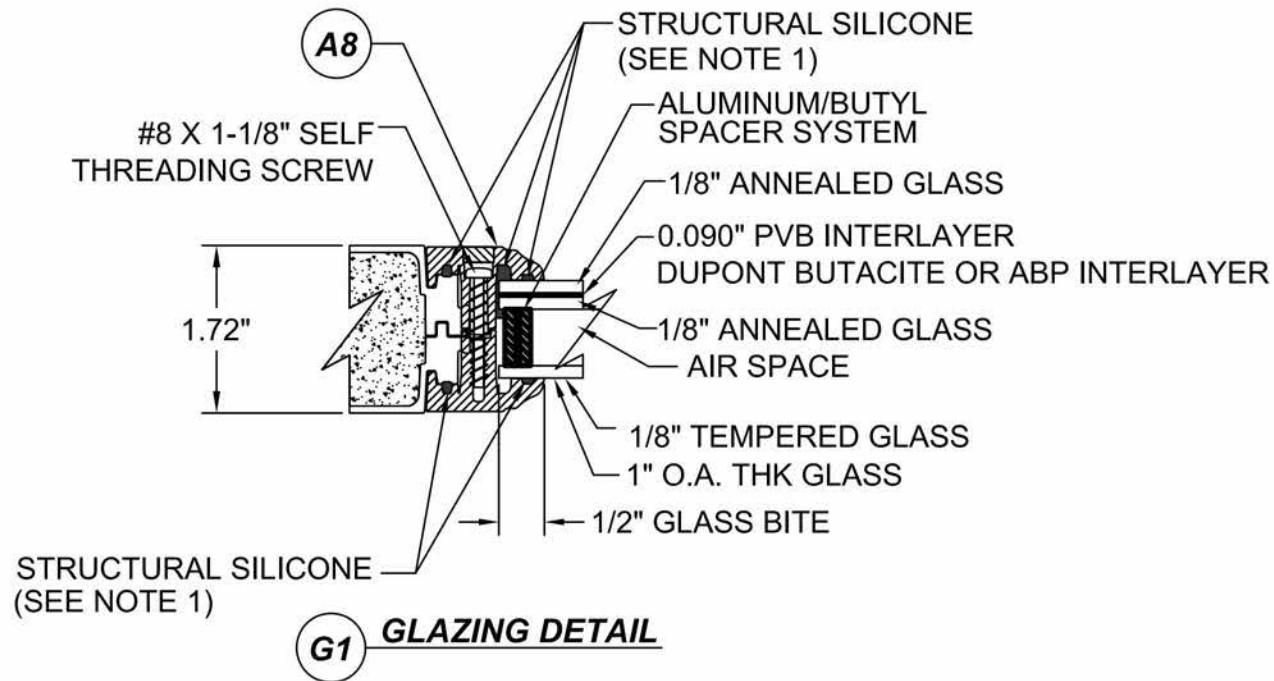


DATE: 07.14.16
DWN BY: LS
CHK BY: HFN
SCALE: NTS

DWG #: **FL-20867.1**
SHEET: **7 OF 29**

TITLE: GLAZED FIBERGLASS DOOR
IMPACT OUTSWING
GLAZING DETAILS

PREPARED BY:
BUILDING DROPS, INC.
398 E. DANIA BEACH BLVD. #338
DANIA BEACH, FL 33004
PH: (954) 399-8478 FX: (954) 744-4738

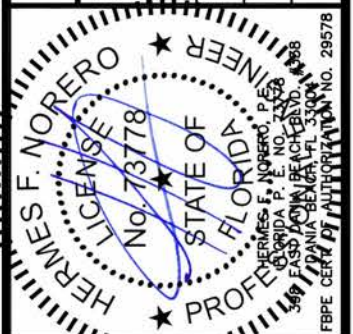


NOTE:

1. STRUCTURAL SILICONE OPTIONS: SILICONE BY CAPSTONE OR DOW 995 STRUCTURAL SILICONE

A8 FLUSH GLAZED FRAME
ABS OR PC/ASA

B8 MAHOGANY LITE FRAME
ABS OR PC/ASA



DATE: 07.14.16
DWN BY: LS
CHK BY: HFN
SCALE: NTS

DWG #: **FL-20867.1**

SHEET: **8 OF 29**

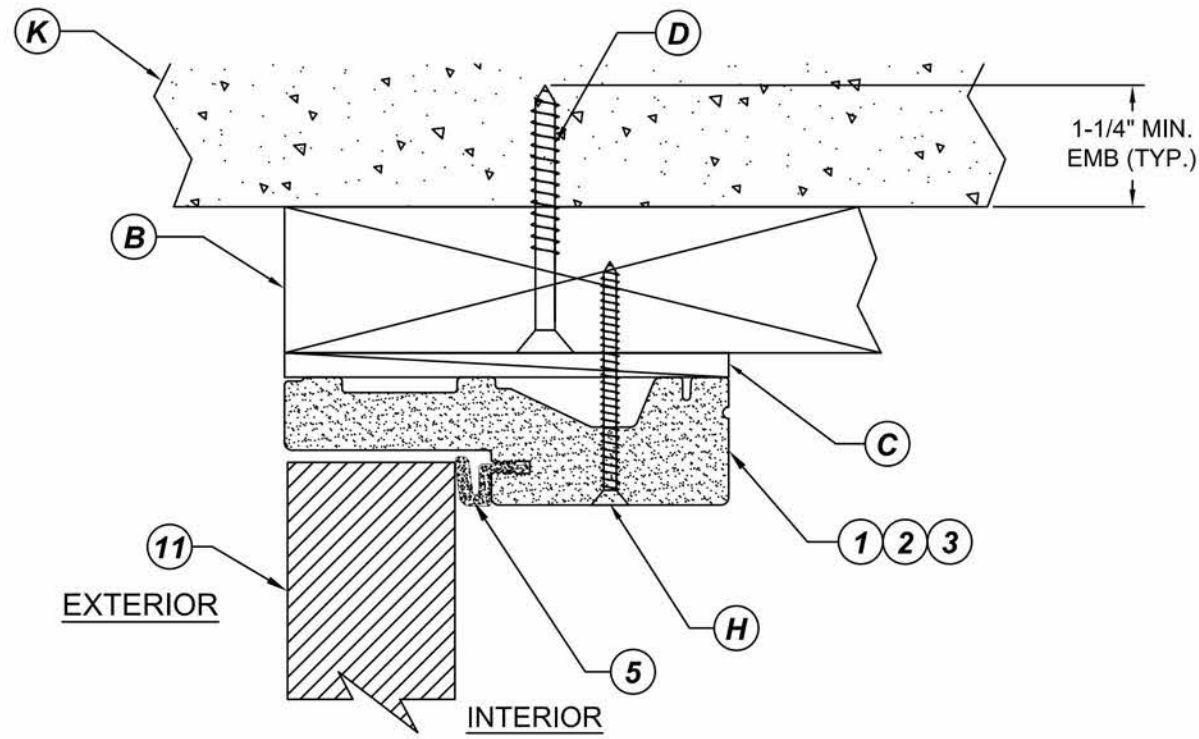
REVISIONS

NO.	DESCRIPTION	BY	DATE

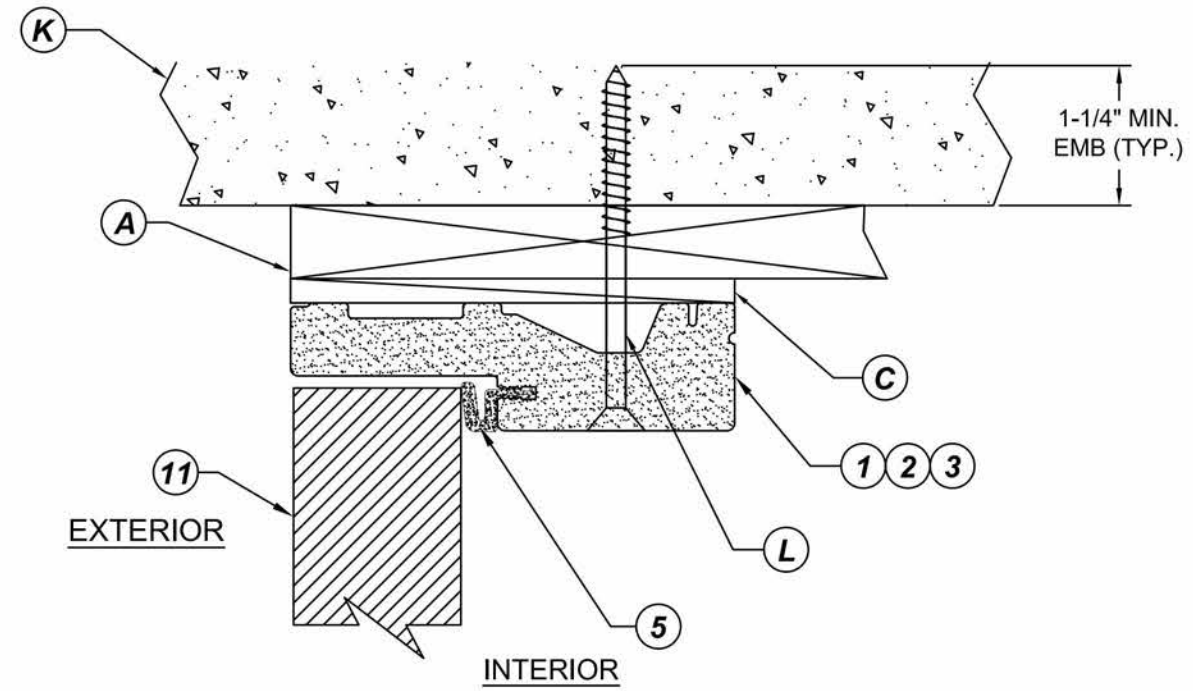
TITLE: GLAZED FIBERGLASS DOOR
IMPACT OUTSWING

VERTICAL CROSS SECTIONS

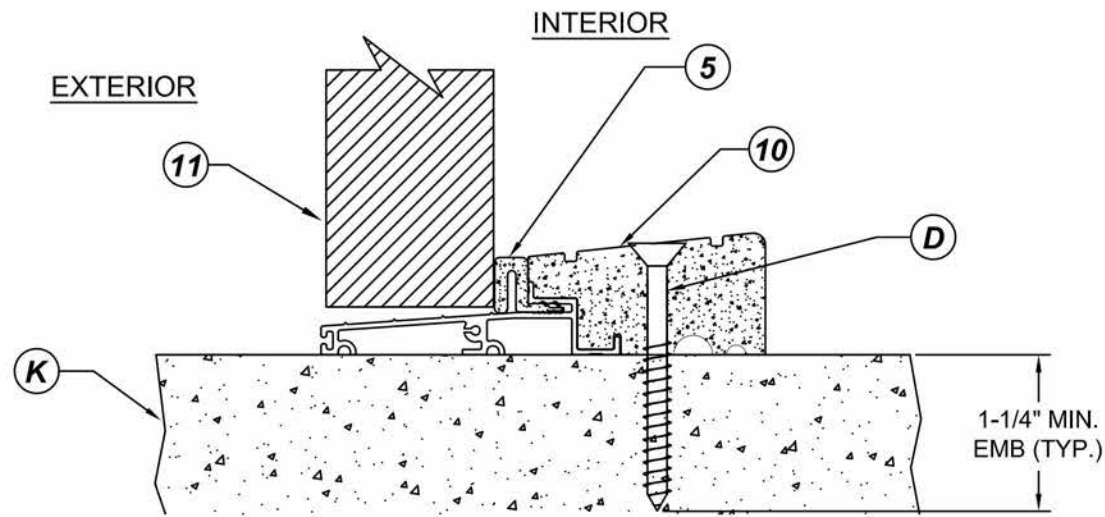
PREPARED BY:
BUILDING DROPS, INC.
398 E. DANIA BEACH BLVD. #3338
DANIA BEACH, FL 33004
PH: (954) 399-8478 FX: (954) 744-4738



1
9 VERTICAL CROSS SECTION
SHOWN W/ 2X WOOD BUCK



2
9 VERTICAL CROSS SECTION
SHOWN W/ 1X WOOD BUCK



3
9 VERTICAL CROSS SECTION

REVISIONS

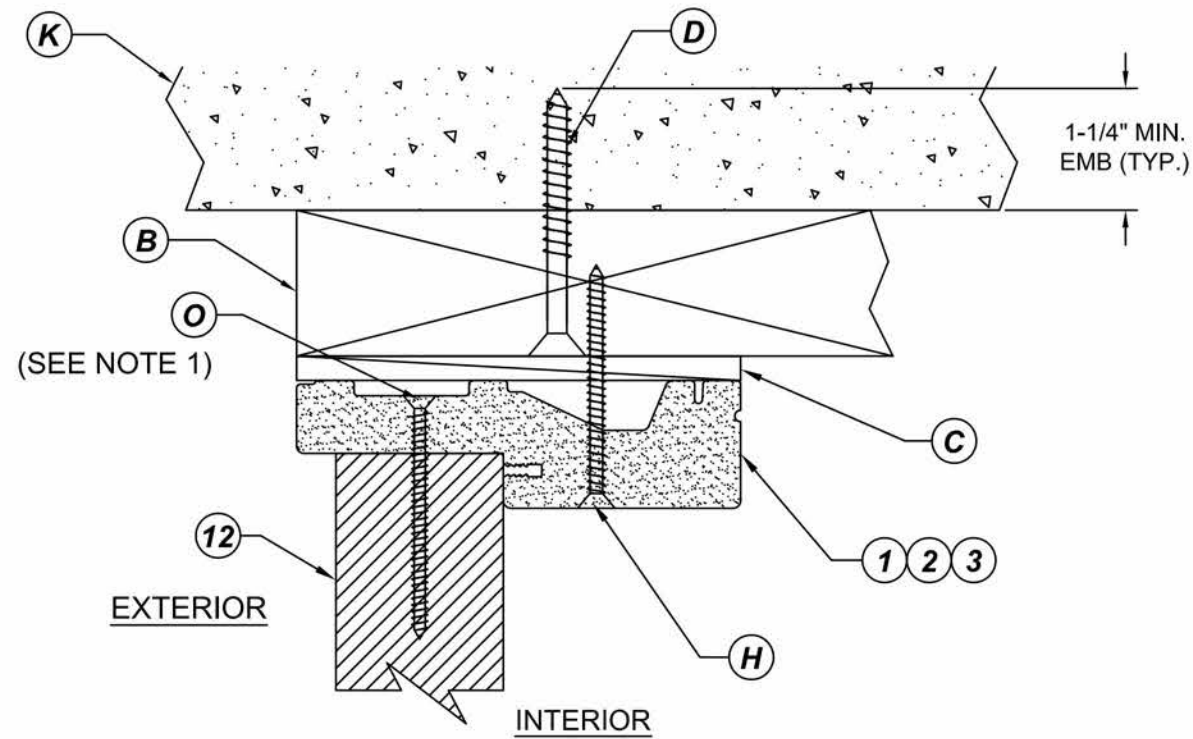
NO.	DESCRIPTION	BY	DATE



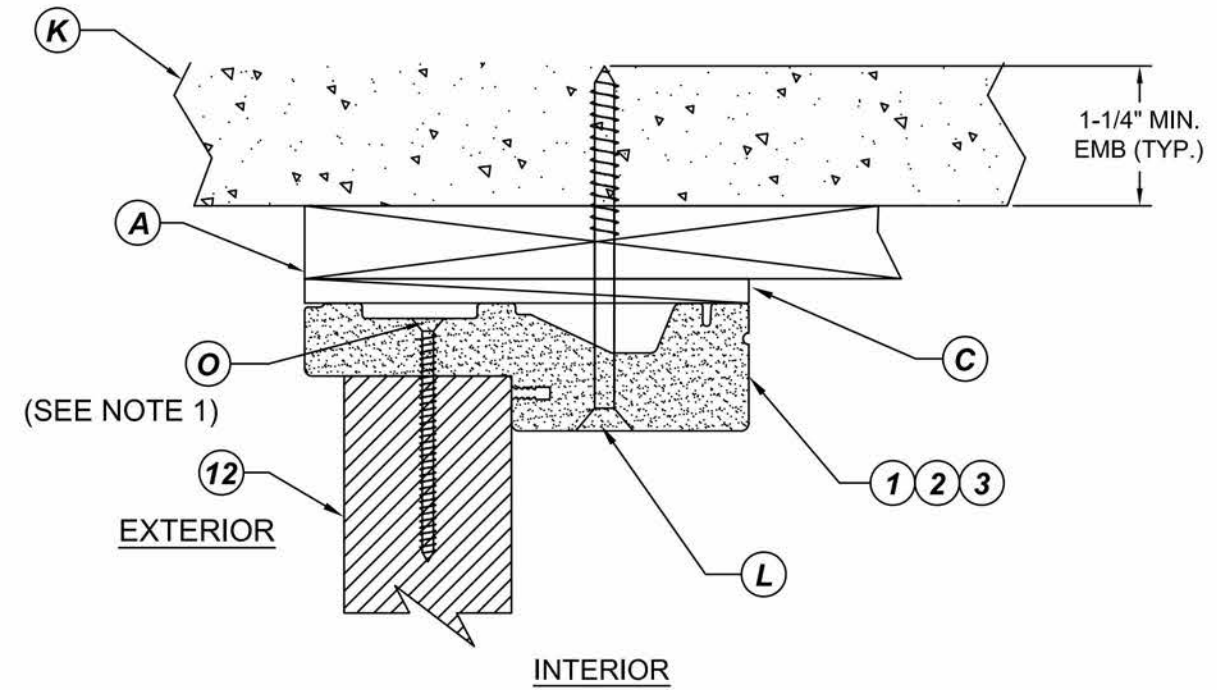
DATE:	07.14.16
DWN BY:	LS
CHK BY:	LFN
SCALE:	NTS

DWG #:
FL-20867.1

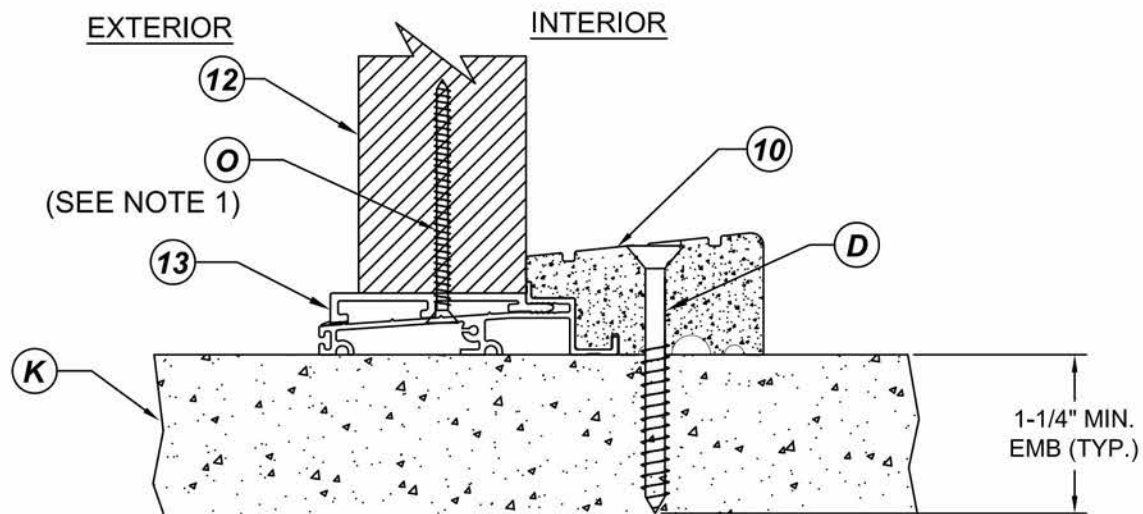
SHEET: **9 OF 29**



1
10 **VERTICAL CROSS SECTION**



2
10 **VERTICAL CROSS SECTION**
SHOWN W/ 1X WOOD BUCK



3
10 **VERTICAL CROSS SECTION**

NOTE:

1. SCREWS THRU HEAD JAMB AND SILL. EACH SCREWS LOCATED 1/3 DISTANCE OF SIDELITE PANEL WIDTH FROM EACH ENDS.

TITLE: GLAZED FIBERGLASS DOOR
IMPACT OUTSWING

VERTICAL CROSS SECTIONS

PREPARED BY:

BUILDING DROPS, INC.
398 E. DANIA BEACH BLVD. #338
DANIA BEACH, FL 33004

PH: (954) 399-8478 FX: (954) 744-4738

REVISIONS

NO.	DESCRIPTION	BY	DATE



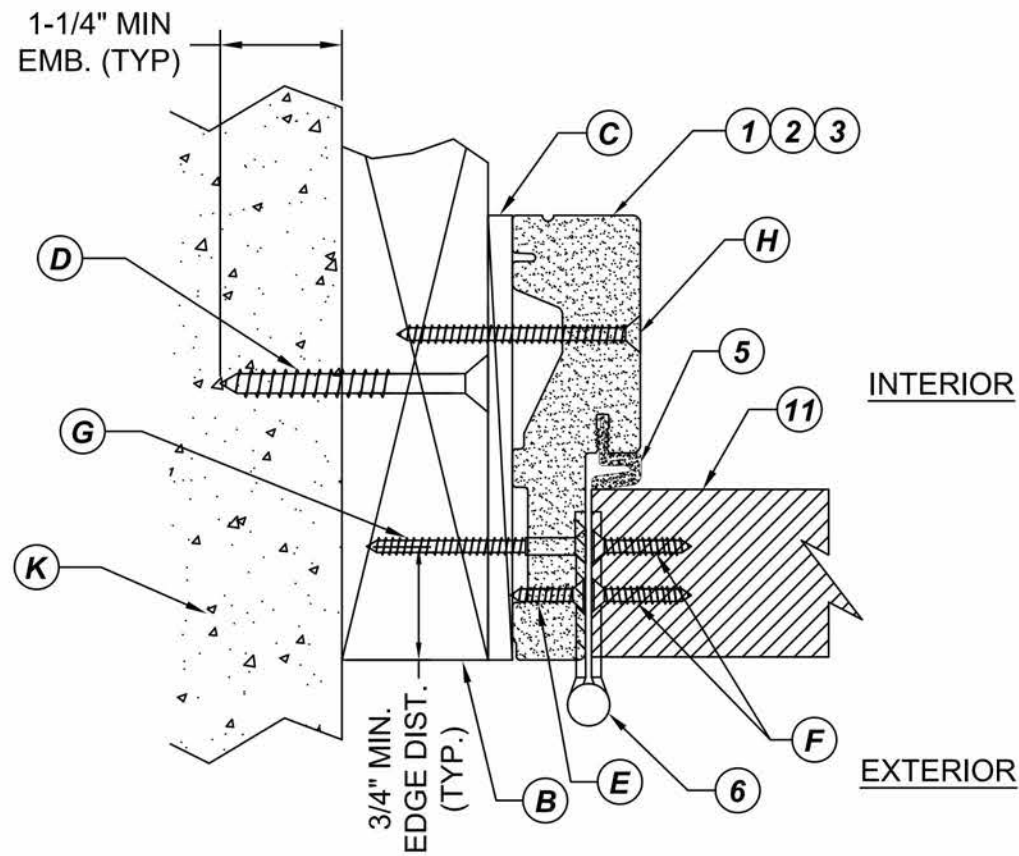
DATE:	DWN BY:	CHK BY:	SCALE:
07.14.16	LS	HFN	NTS

DWG #: **FL-20867.1**

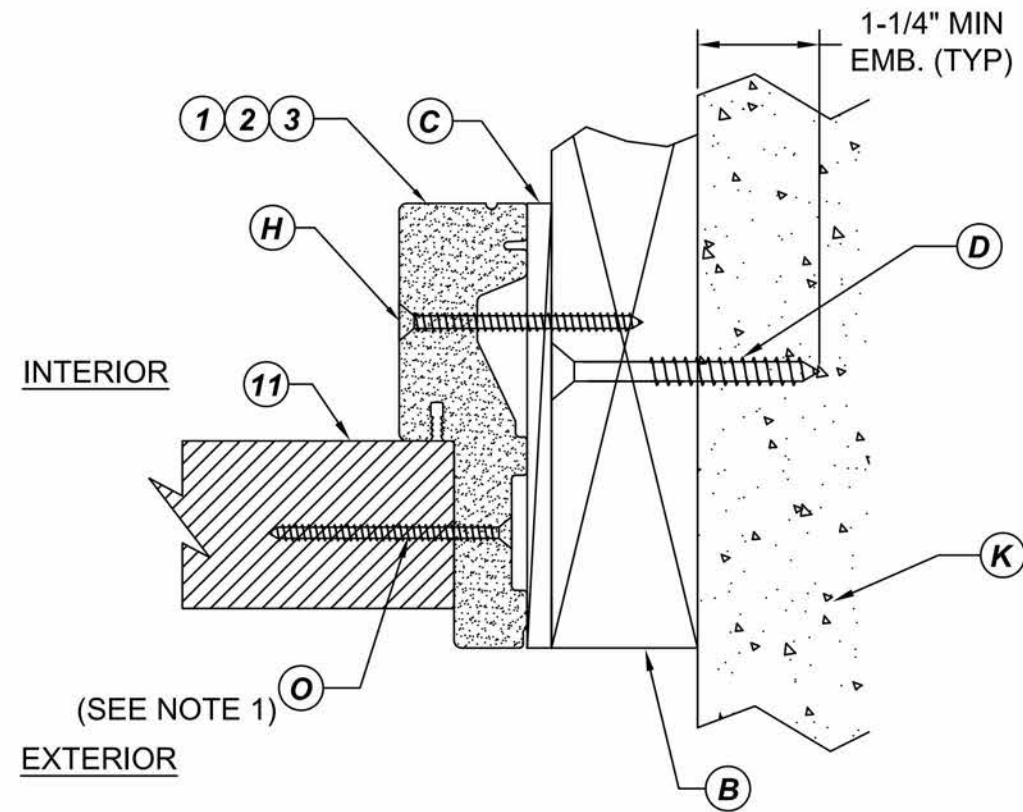
SHEET: **10 OF 29**

TITLE: GLAZED FIBERGLASS DOOR
IMPACT OUTSWING
HORIZONTAL
CROSS SECTIONS

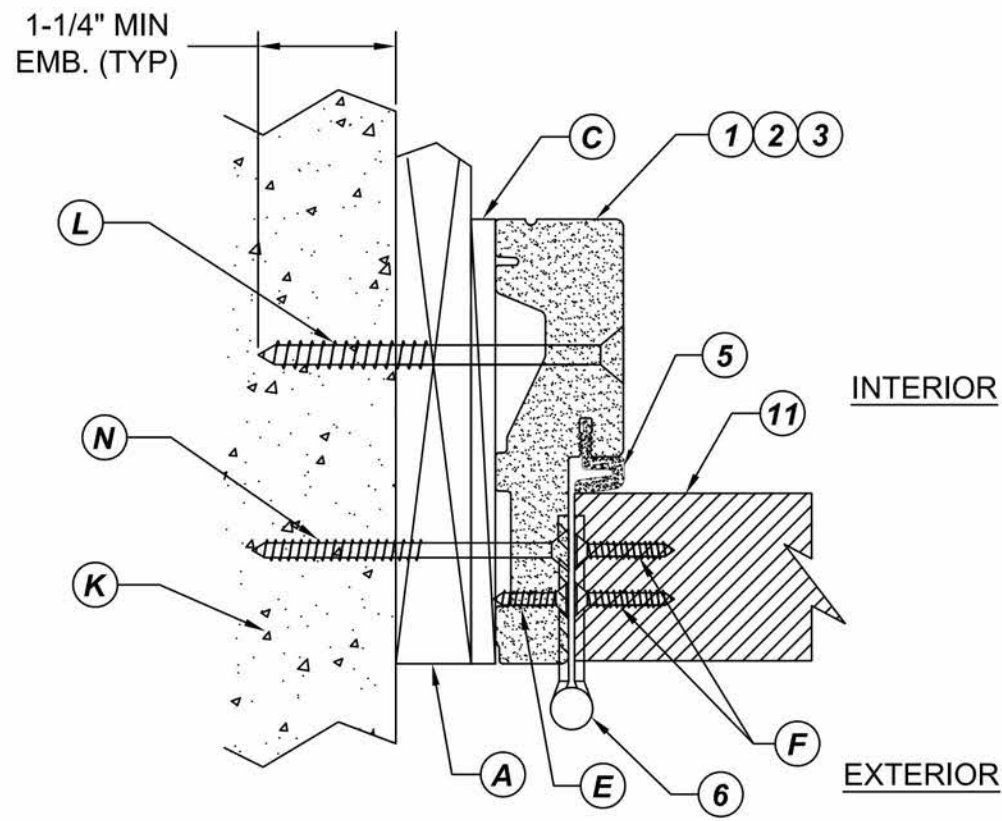
PREPARED BY:
BUILDING DROPS, INC.
398 E. DANIA BEACH BLVD. #3338
DANIA BEACH, FL 33004
PH: (954) 399-8478 FX: (954) 744-4738



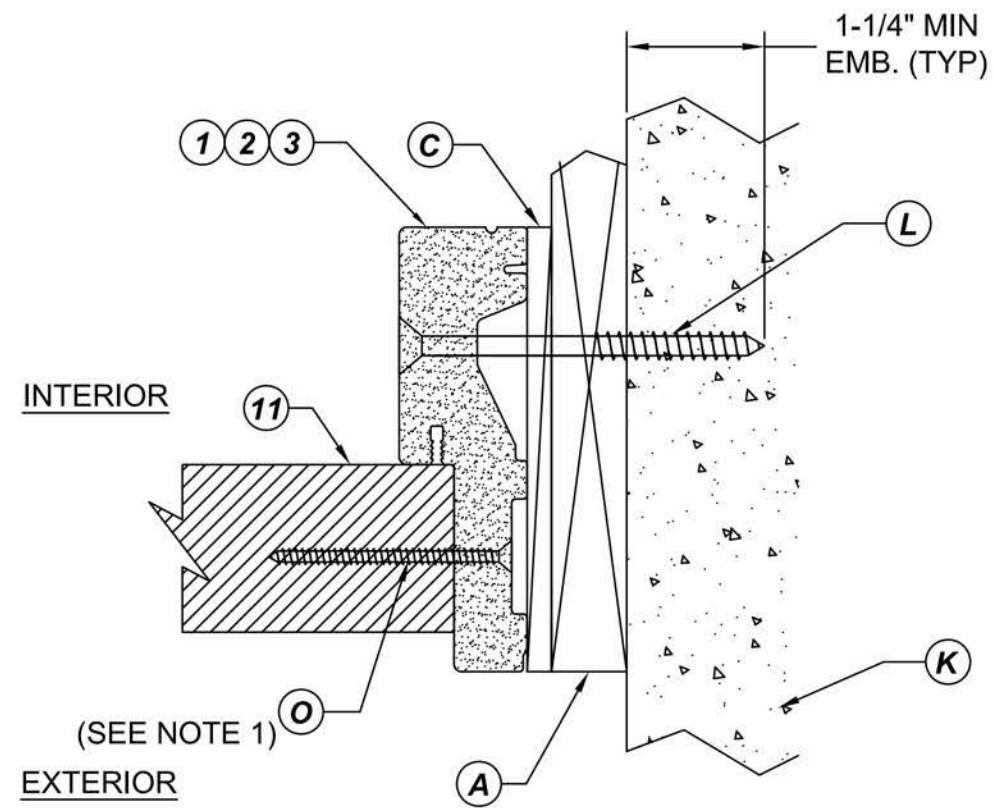
1 HORIZONTAL CROSS SECTION
11 SHOWN W/ 2X WOOD BUCK



2 HORIZONTAL CROSS SECTION
11 SHOWN W/ 2X WOOD BUCK



3 HORIZONTAL CROSS SECTION
11 SHOWN W/ 1X WOOD BUCK



4 HORIZONTAL CROSS SECTION
11 SHOWN W/ 1X WOOD BUCK

NOTE:

1. SIDELITE SCREWS LOCATED 6" FROM EACH END OF SIDE JAMB AND 3 EQUALLY SPACED SCREWS FROM THE END SCREWS.

REVISIONS

NO.	DESCRIPTION	BY	DATE



DATE:	07.14.16
DWN BY:	LS
CHK BY:	LFN
SCALE:	NTS

DWG #: **FL-20867.1**

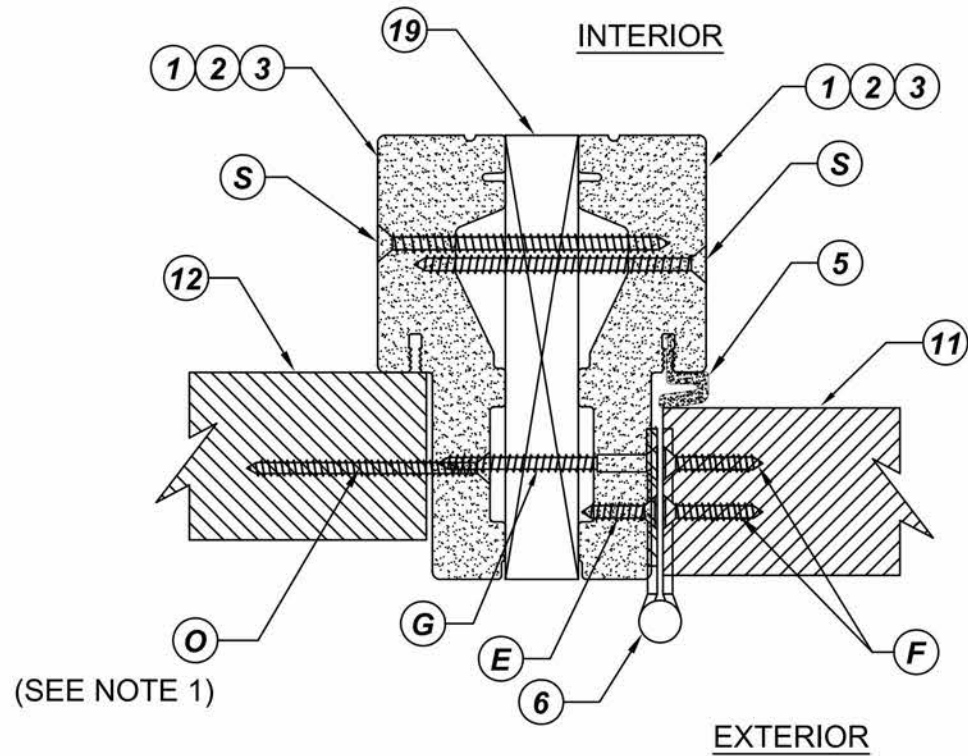
SHEET: **11 OF 29**

TITLE: GLAZED FIBERGLASS DOOR
IMPACT OUTSWING

HORIZONTAL
CROSS SECTIONS

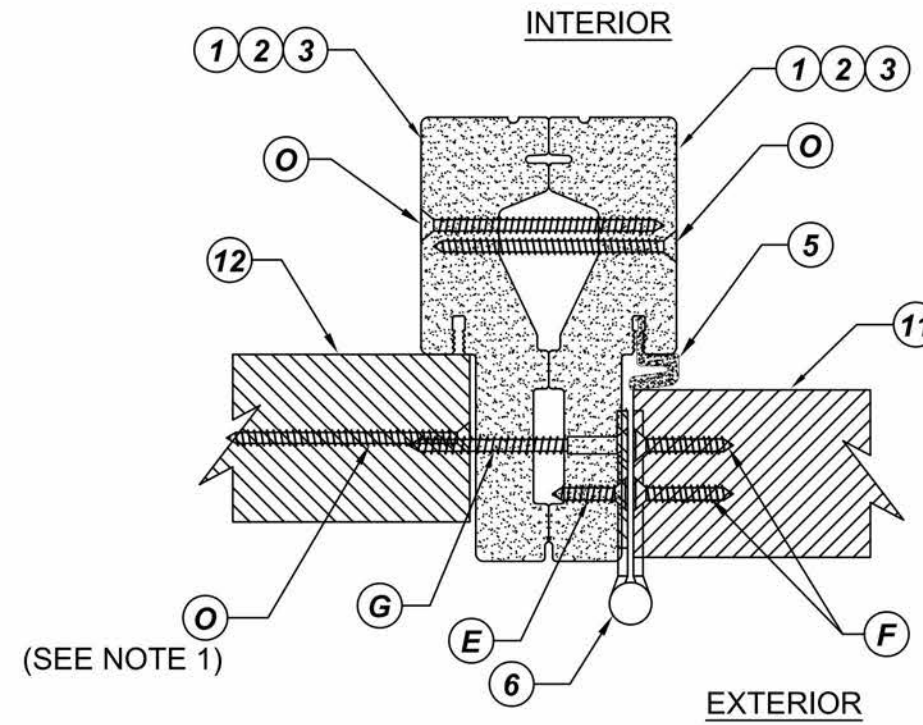
PREPARED BY:

BUILDING DROPS, INC.
398 E. DANIA BEACH BLVD. #338
DANIA BEACH, FL 33004
PH: (954) 399-8478 FX: (954) 744-4738



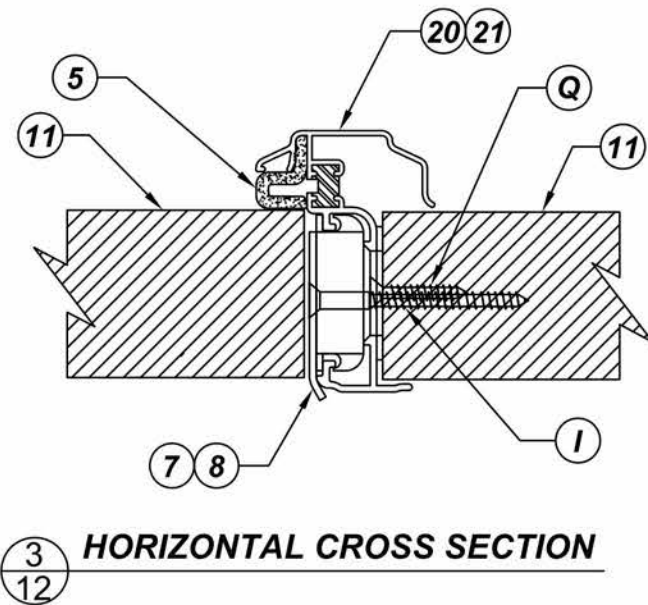
(SEE NOTE 1)

1
12 HORIZONTAL CROSS SECTION

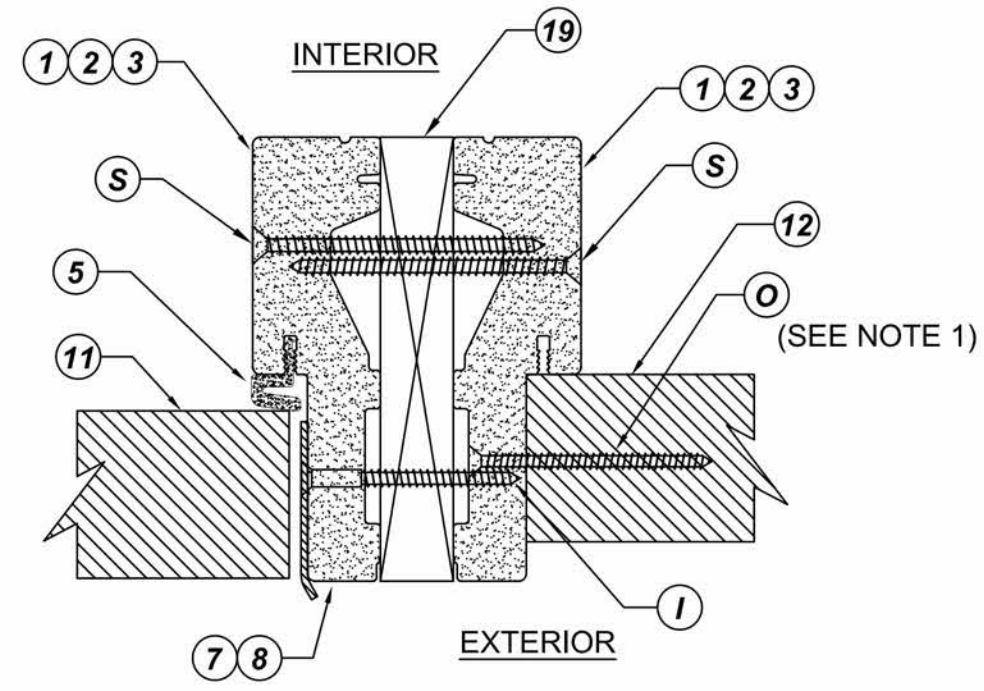


(SEE NOTE 1)

2
12 HORIZONTAL CROSS SECTION



3
12 HORIZONTAL CROSS SECTION



(SEE NOTE 1)

4
12 HORIZONTAL CROSS SECTION

NOTE:

1. SIDELITE SCREWS LOCATED 6" FROM EACH END OF SIDE JAMB AND 3 EQUALLY SPACED SCREWS FROM THE END SCREWS.

REVISIONS

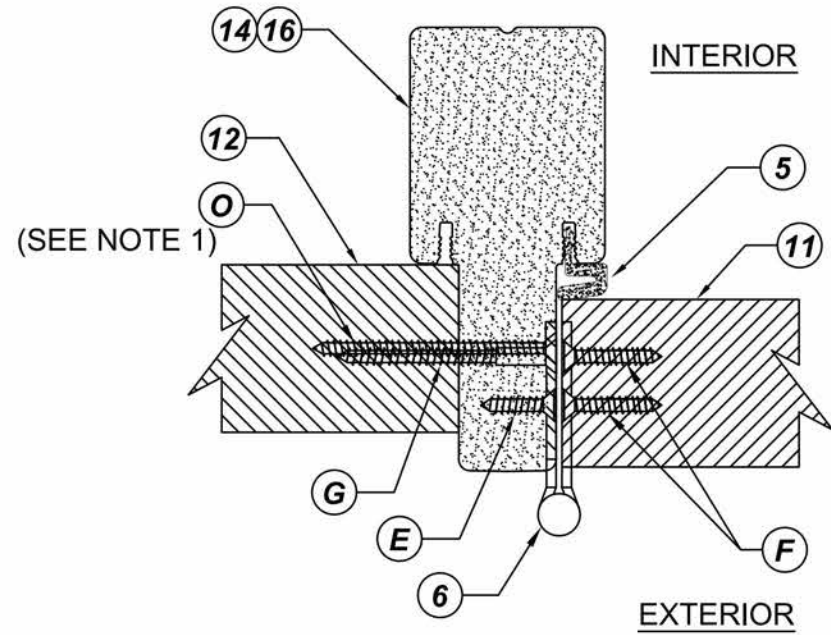
NO.	DESCRIPTION	BY	DATE



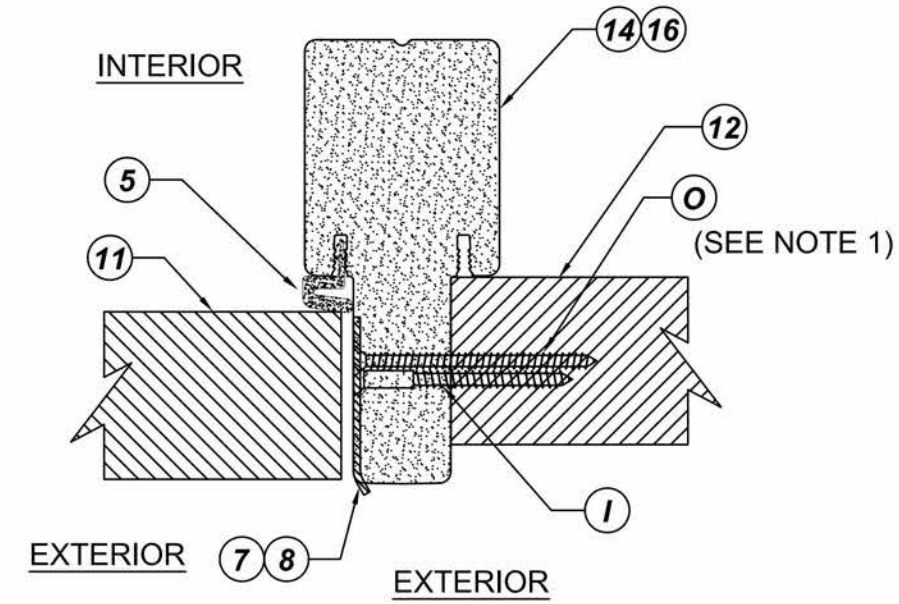
DATE:	DWN BY:	CHK BY:	SCALE:
07.14.16	LS	HFN	NTS

DWG #:
FL-20867.1

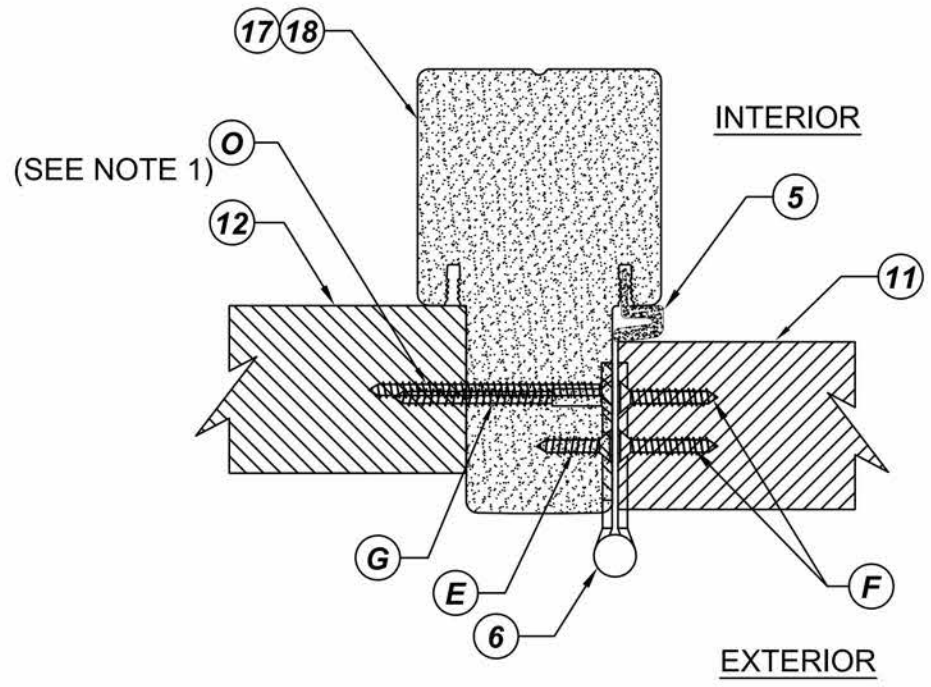
SHEET: **12 OF 29**



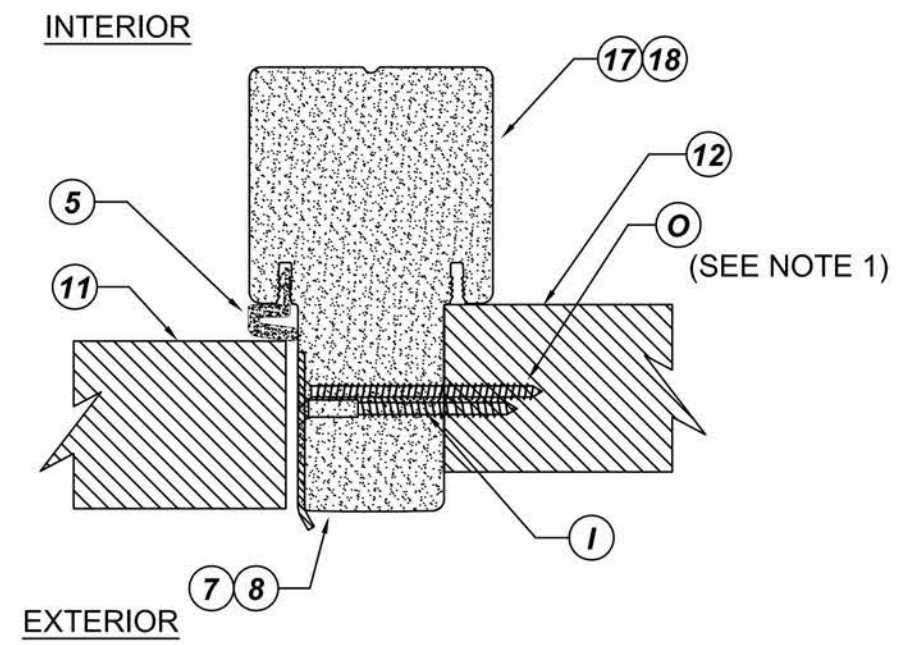
1
13 HORIZONTAL CROSS SECTION



2
13 HORIZONTAL CROSS SECTION



3
13 HORIZONTAL CROSS SECTION



4
13 HORIZONTAL CROSS SECTION

NOTE:
1. SIDELITE SCREWS LOCATED 6" FROM EACH END OF SIDE JAMB AND 3 EQUALLY SPACED SCREWS FROM THE END SCREWS.

TITLE: GLAZED FIBERGLASS DOOR
IMPACT OUTSWING
**HORIZONTAL
CROSS SECTIONS**
PREPARED BY:
BUILDING DROPS, INC.
398 E. DANIA BEACH BLVD. #3338
DANIA BEACH, FL 33004
PH: (954) 399-8478 FX: (954) 744-4738

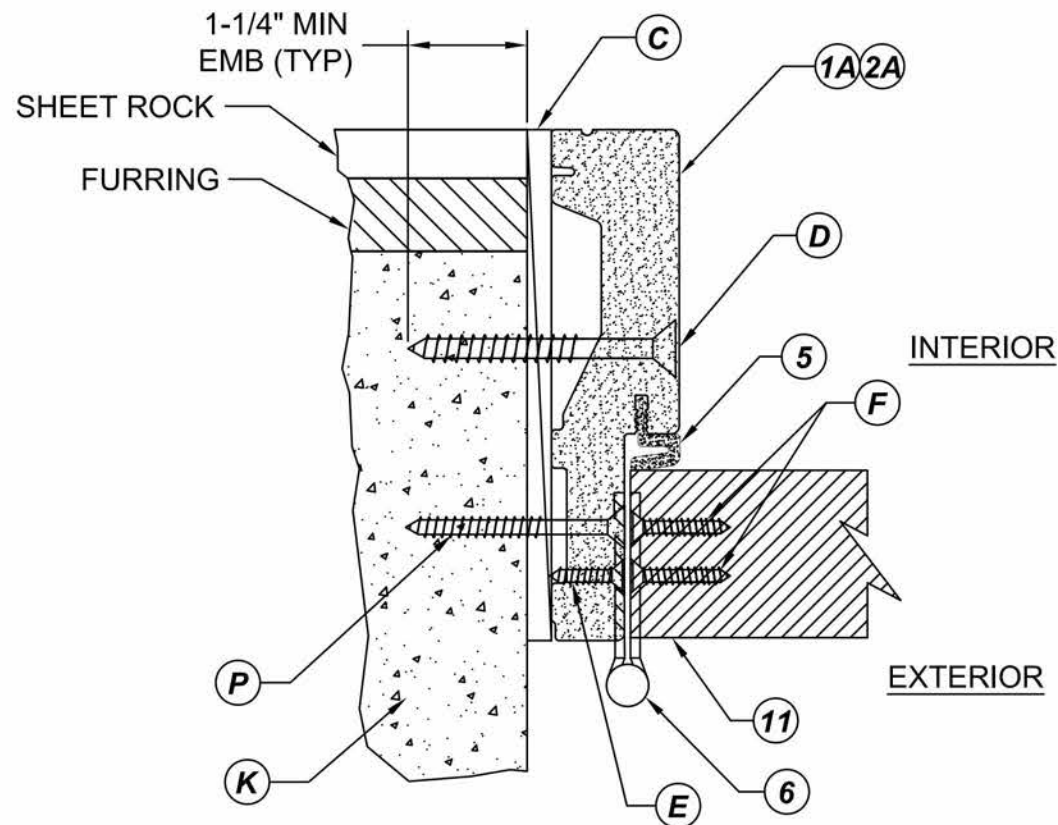
NO.	DESCRIPTION	BY	DATE



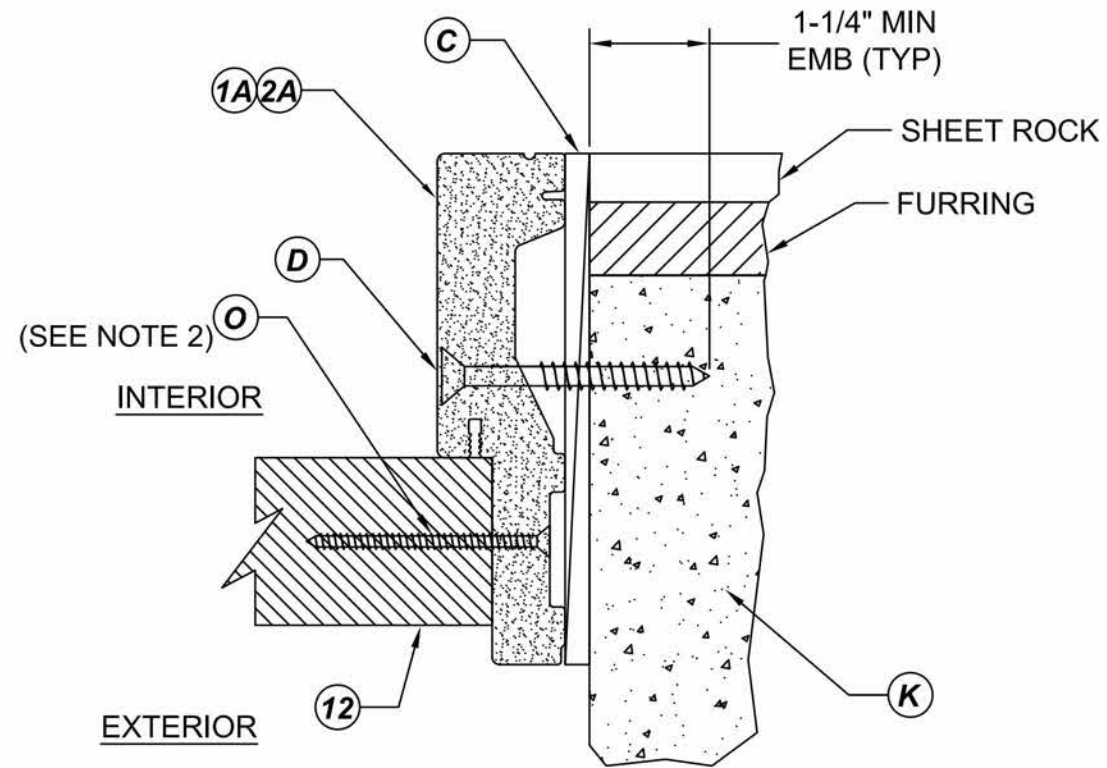
DATE: 07.14.16
DWN BY: LS
CHK BY: HFN
SCALE: NTS

DWG #: **FL-20867.1**
SHEET: **13 OF 29**

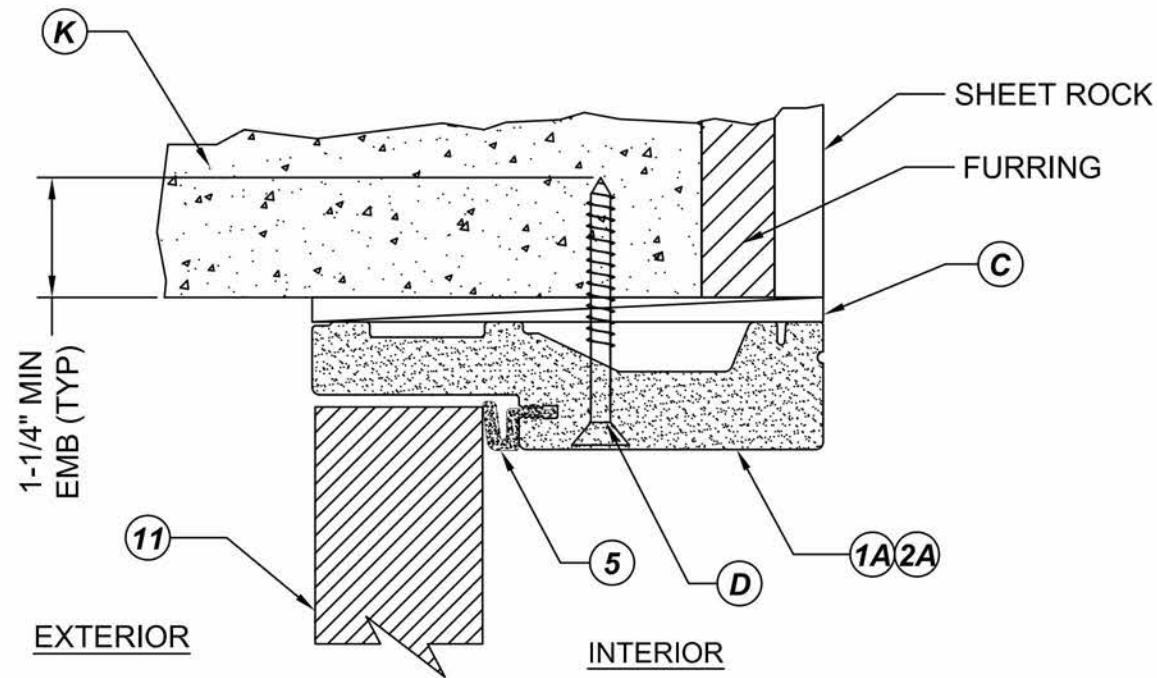
TITLE: GLAZED FIBERGLASS DOOR
IMPACT OUTSWING
HORIZONTAL & VERTICAL
CROSS SECTIONS
PREPARED BY:
BUILDING DROPS, INC.
398 E. DANIA BEACH BLVD. #338
DANIA BEACH, FL 33004
PH: (954) 399-8478 FX: (954) 744-4738



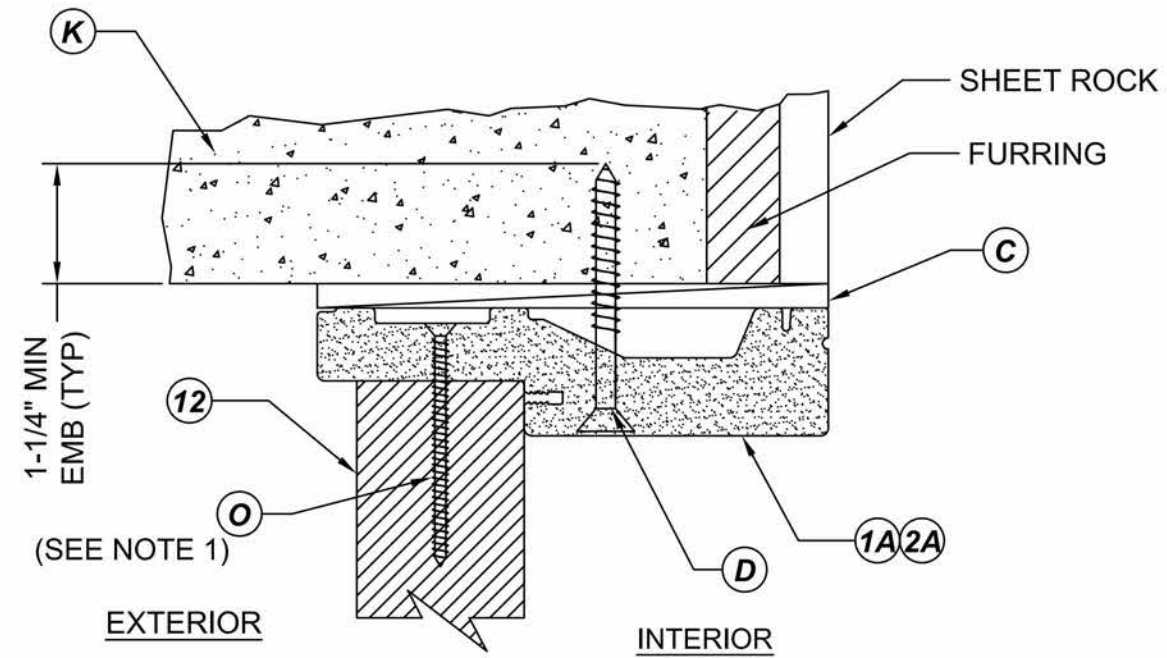
1
14 **HORIZONTAL CROSS SECTION**
Direct to masonry
(5-1/4" min jamb)



2
14 **HORIZONTAL CROSS SECTION**
Direct to masonry
(5-1/4" min jamb)



3
14 **VERTICAL CROSS SECTION**
Direct to masonry
(5-1/4" min jamb)



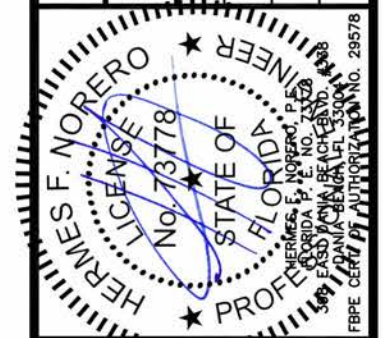
4
14 **VERTICAL CROSS SECTION**
Direct to masonry
(5-1/4" min jamb)

NOTE:

- SCREWS THRU HEAD JAMB AND SILL. EACH SCREWS LOCATED 1/3 DISTANCE OF SIDELITE PANEL WIDTH FROM EACH ENDS.
- SIDELITE SCREWS LOCATED 6" FROM EACH END OF MULLION AND 3 EQUALLY SPACED SCREWS FROM THE END SCREWS.

REVISIONS

NO.	DESCRIPTION	BY	DATE

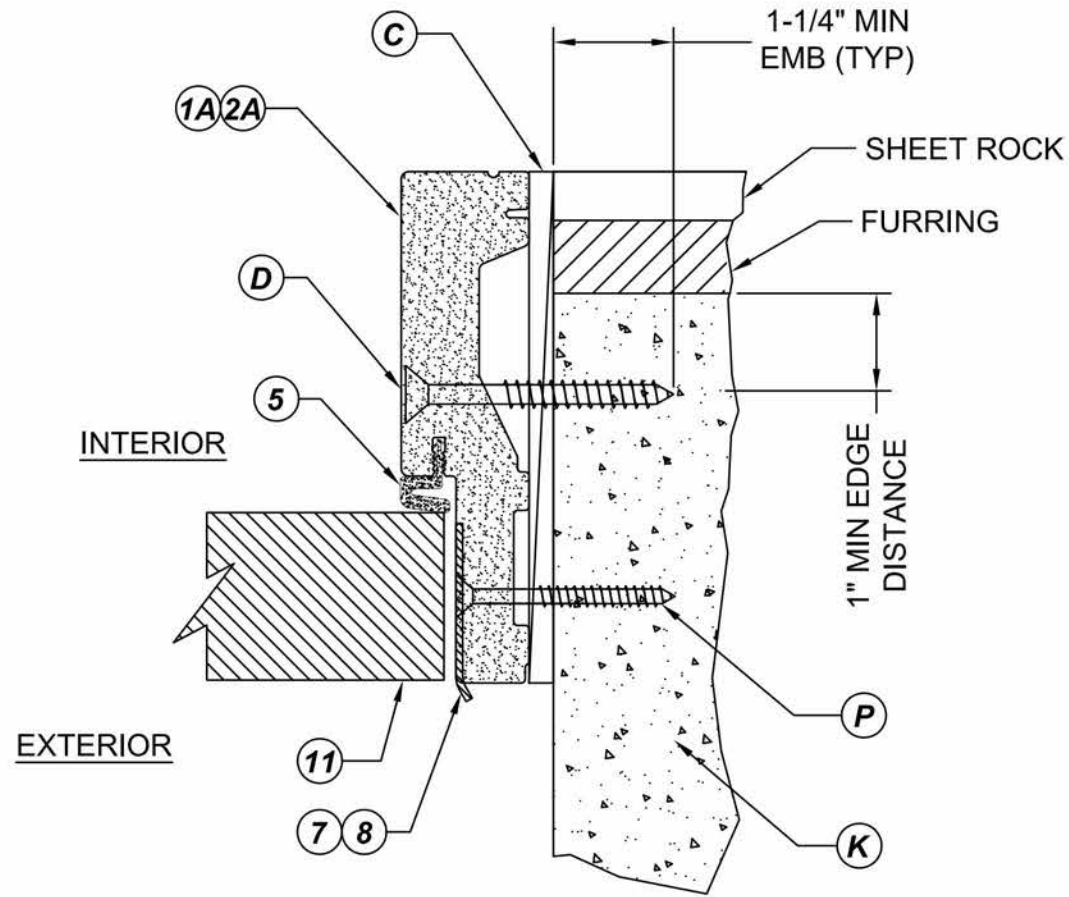


DATE: 07.14.16
DWN BY: LS
CHK BY: HFN
SCALE: NTS

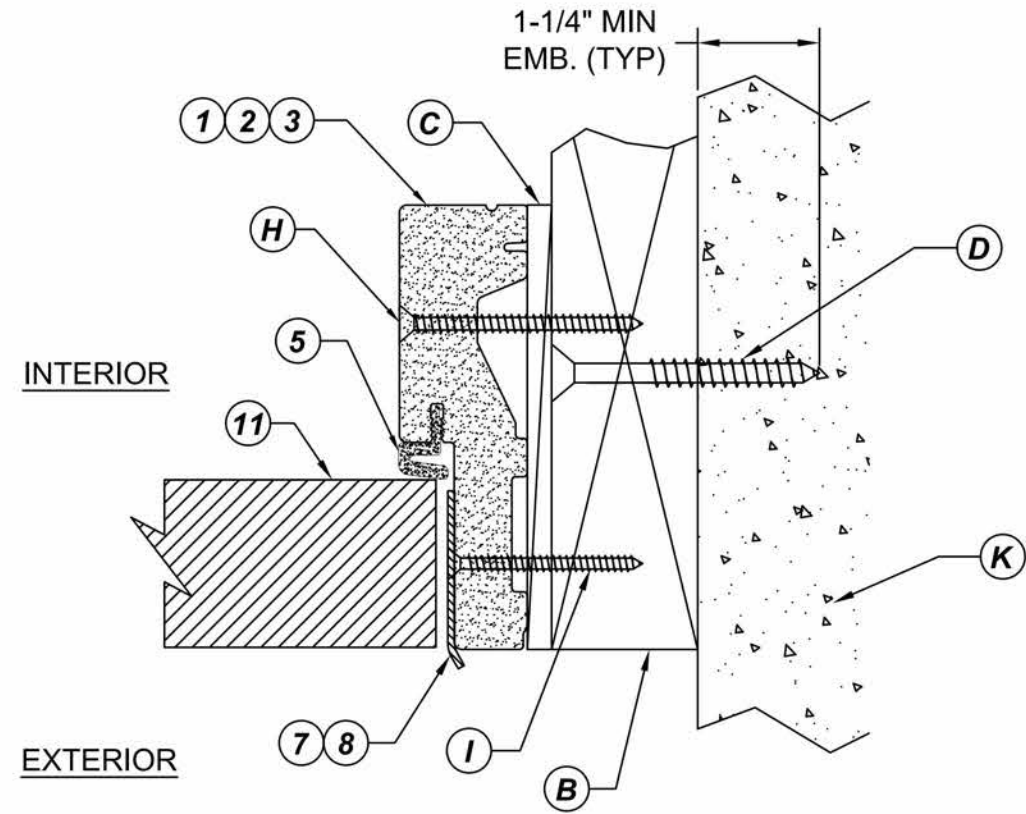
DWG #: **FL-20867.1**

SHEET: **14 OF 29**

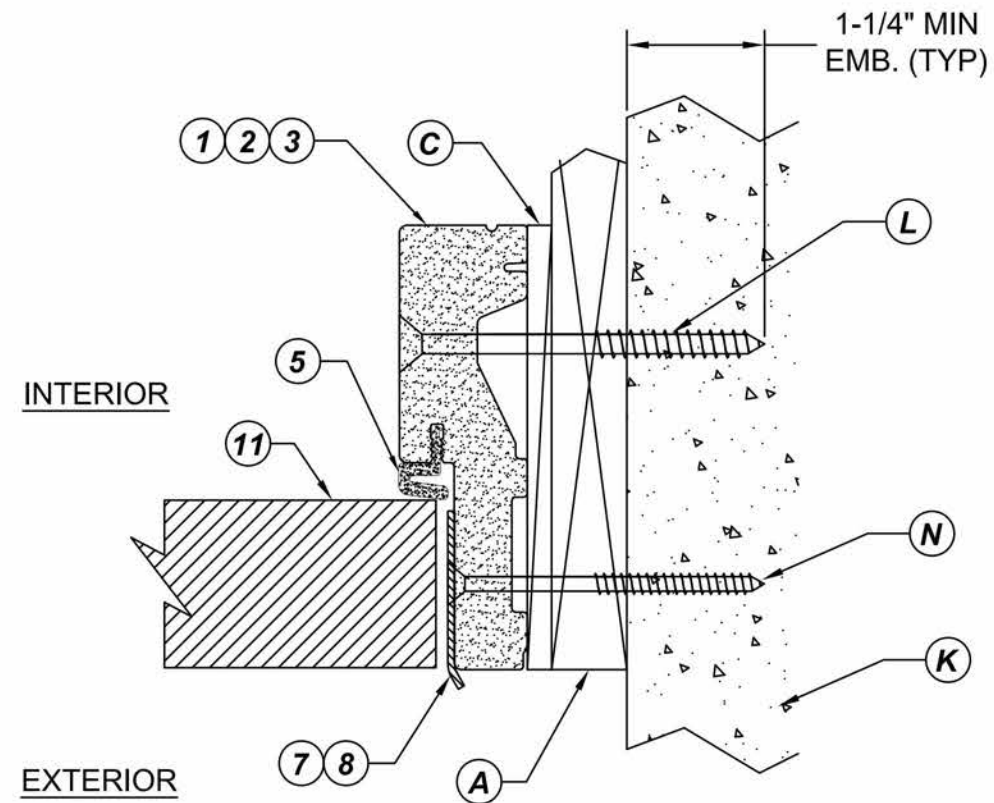
TITLE: GLAZED FIBERGLASS DOOR
IMPACT OUTSWING
HORIZONTAL
CROSS SECTIONS
PREPARED BY:
BUILDING DROPS, INC.
398 E. DANIA BEACH BLVD. #338
DANIA BEACH, FL 33004
PH: (954) 399-8478 FX: (954) 744-4738



1
15 **HORIZONTAL CROSS SECTION**
Direct to masonry
(5-1/4" min jamb)



2
15 **HORIZONTAL CROSS SECTION**
SHOWN W/ 2X WOOD BUCK



3
15 **HORIZONTAL CROSS SECTION**
SHOWN W/ 1X WOOD BUCK

REVISIONS

NO.	DESCRIPTION	BY	DATE

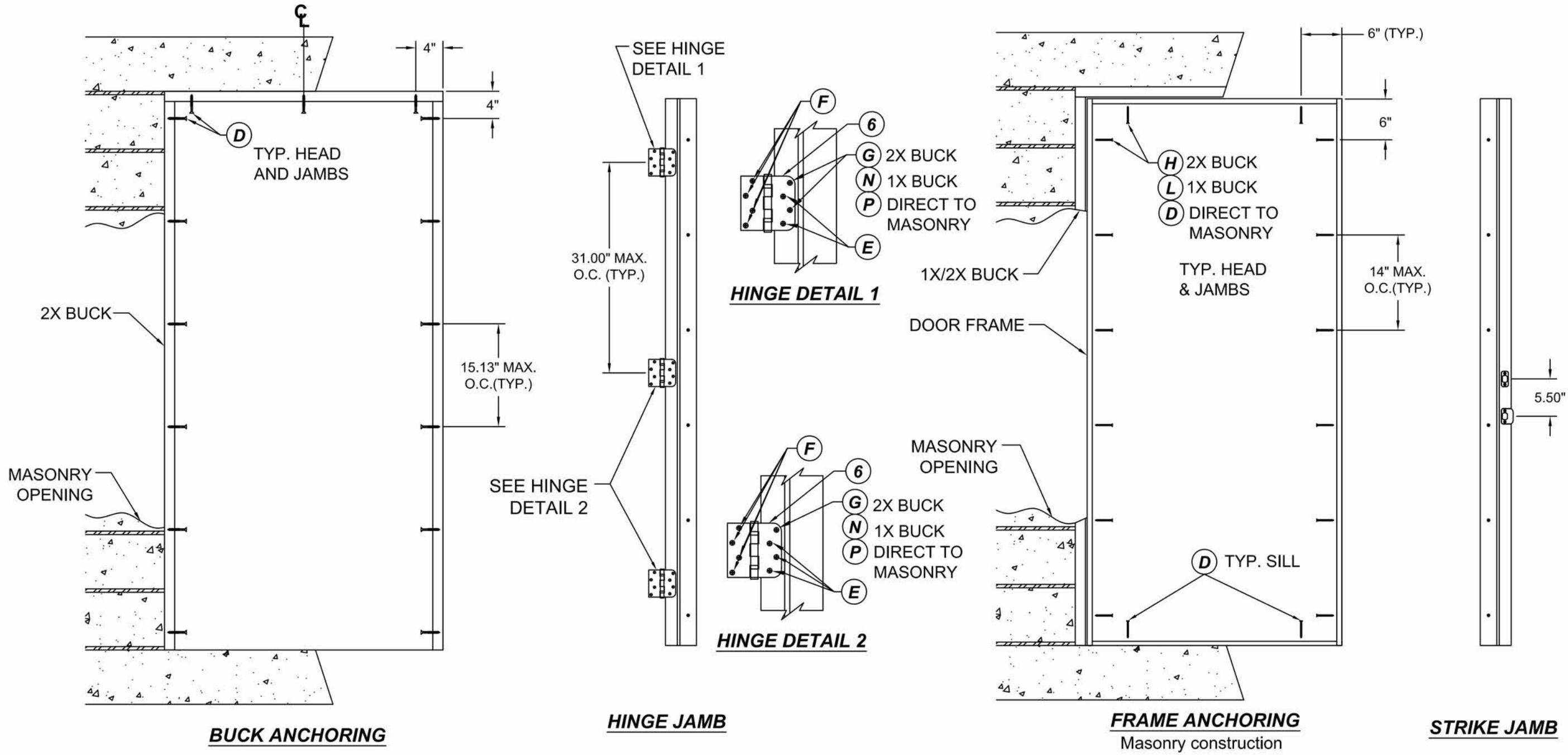


DATE:	07.14.16
DWN BY:	LS
CHK BY:	LFN
SCALE:	NTS

DWG #:
FL-20867.1

SHEET: **15 OF 29**

TITLE: GLAZED FIBERGLASS DOOR
IMPACT OUTSWING
BUCK & FRAME
ANCHORING
PREPARED BY:
BUILDING DROPS, INC.
398 E. DANIA BEACH BLVD. #338
DANIA BEACH, FL 33004
PH: (954) 399-8478 FX: (954) 744-4738



REVISIONS

NO.	DESCRIPTION	BY DATE	
		BY	DATE

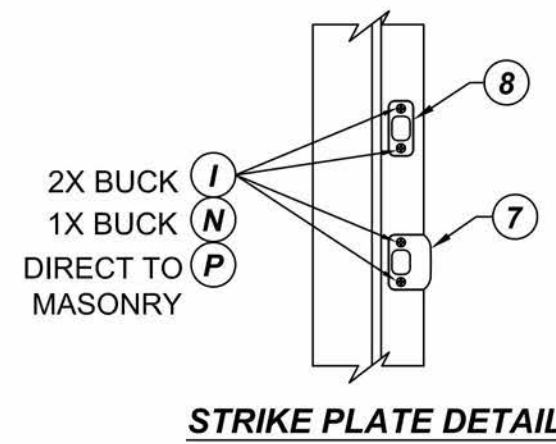
CONCRETE ANCHOR NOTES:

- Concrete anchor locations noted as "MAX ON CENTER" and at the corners must be adjusted to maintain min. edge distance to mortar joints. Additional concrete anchors may be required to ensure the "MAX ON CENTER" dimensions are not exceeded.
- Concrete anchor table:

ANCHOR TYPE	ANCHOR SIZE	MIN. EMBEDMENT	MIN. CLEARANCE TO MASONRY EDGE	MIN CLEARANCE TO ADJUSTMENT ANCHOR
ITW BUILDEX TAPCON®	1/4"	1-1/4"	2"	4"
ELCO ULTRAICON®	1/4"	1-1/4"	1"	4"
ITW BUILDEX TAPCON®	3/16"	1-1/4"	3"	1-1/2"

WOOD SCREW INSTALLATION NOTES:

- Maintain a min. 5/8" edge distance, & 1" o.c. spacing of wood screws to prevent splitting of wood.



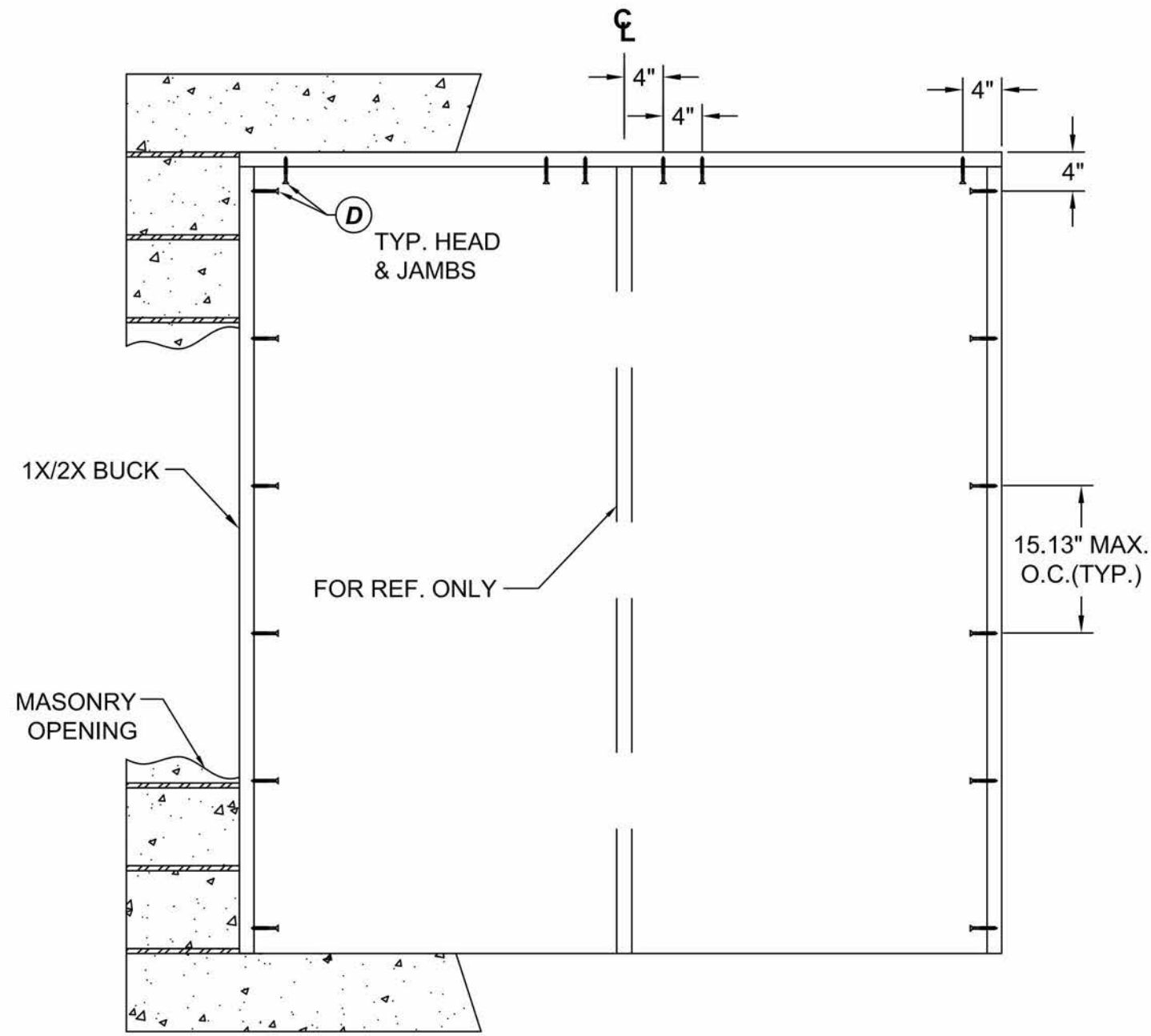
DATE: 07.14.16
DWN BY: LS
CHK BY: HFN
SCALE: NTS

DWG #: **FL-20867.1**
SHEET: **16 OF 29**

TITLE: GLAZED FIBERGLASS DOOR
IMPACT OUTSWING

BUCK ANCHORING

PREPARED BY:
BUILDING DROPS, INC.
398 E. DANIA BEACH BLVD. #338
DANIA BEACH, FL 33004
PH: (954) 399-8478 FX: (954) 744-4738



BUCK ANCHORING

CONCRETE ANCHOR NOTES:

- Concrete anchor locations noted as "MAX ON CENTER" and at the corners must be adjusted to maintain min. edge distance to mortar joints. Additional concrete anchors may be required to ensure the "MAX ON CENTER" dimensions are not exceeded.
- Concrete anchor table:

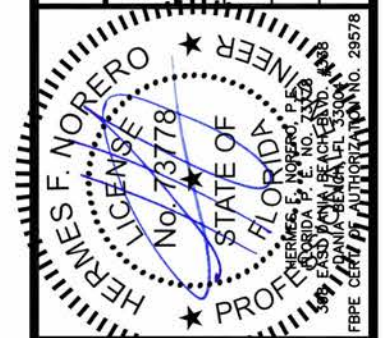
ANCHOR TYPE	ANCHOR SIZE	MIN. EMBEDMENT	MIN. CLEARANCE TO MASONRY EDGE	MIN CLEARANCE TO ADJUSTMENT ANCHOR
ITW BUILDEX TAPCON®	1/4"	1-1/4"	2"	4"
ELCO ULTRACON®	1/4"	1-1/4"	1"	4"
ITW BUILDEX TAPCON®	3/16"	1-1/4"	3"	1-1/2"

WOOD SCREW INSTALLATION NOTES:

- Maintain a min. 5/8" edge distance, & 1" o.c. spacing of wood screws to prevent splitting of wood.

FOR XO, OX & XX CONFIGURATIONS

NO.	REVISIONS DESCRIPTION	BY	DATE



DATE: 07.14.16
DWN BY: LS
CHK BY: HFN
SCALE: NTS

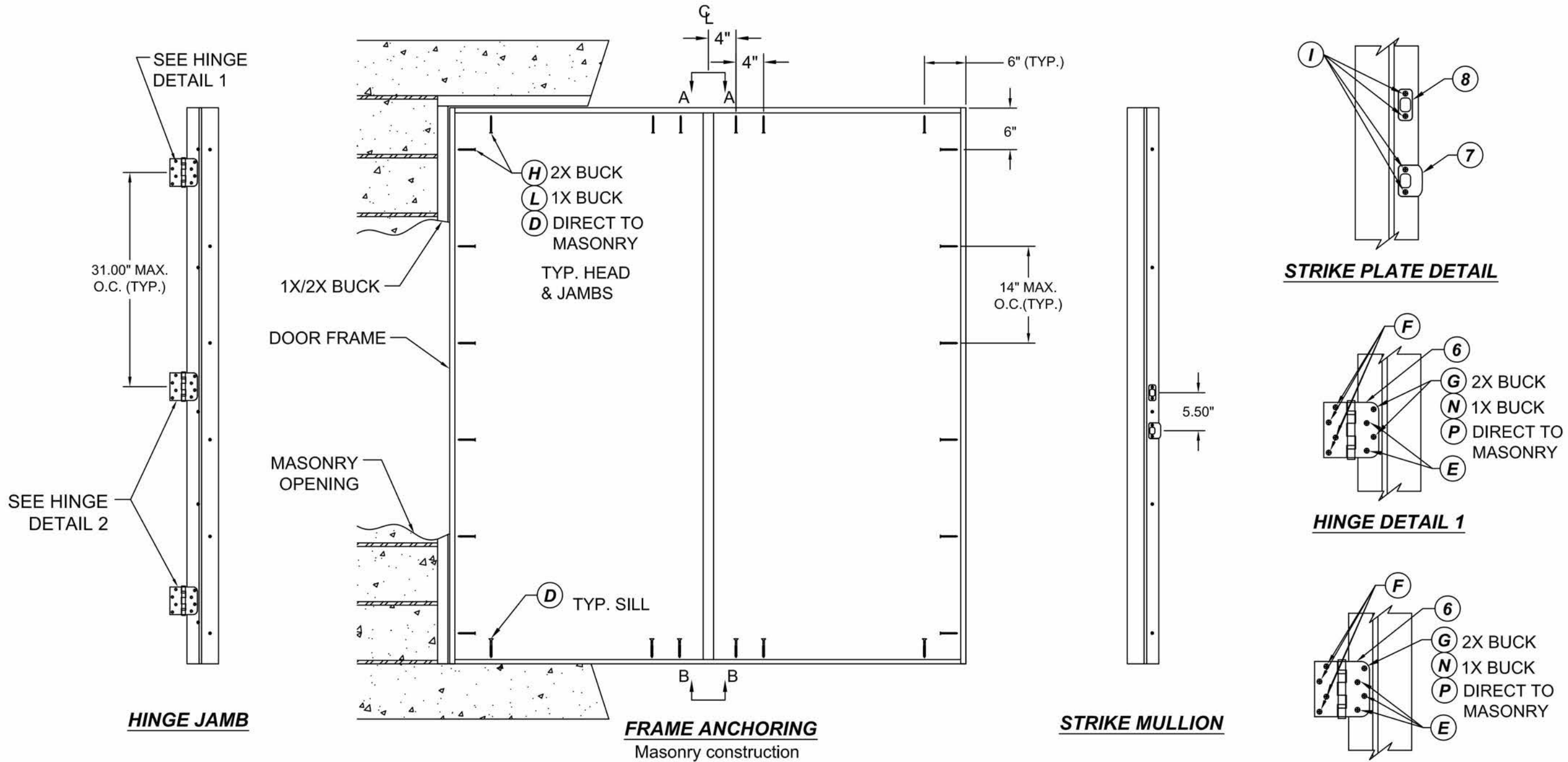
DWG #:
FL-20867.1

SHEET: **17 OF 29**

TITLE: GLAZED FIBERGLASS DOOR
IMPACT OUTSWING

FRAME ANCHORING

PREPARED BY:
BUILDING DROPS, INC.
398 E. DANIA BEACH BLVD. #338
DANIA BEACH, FL 33004
PH: (954) 399-8478 FX: (954) 744-4738



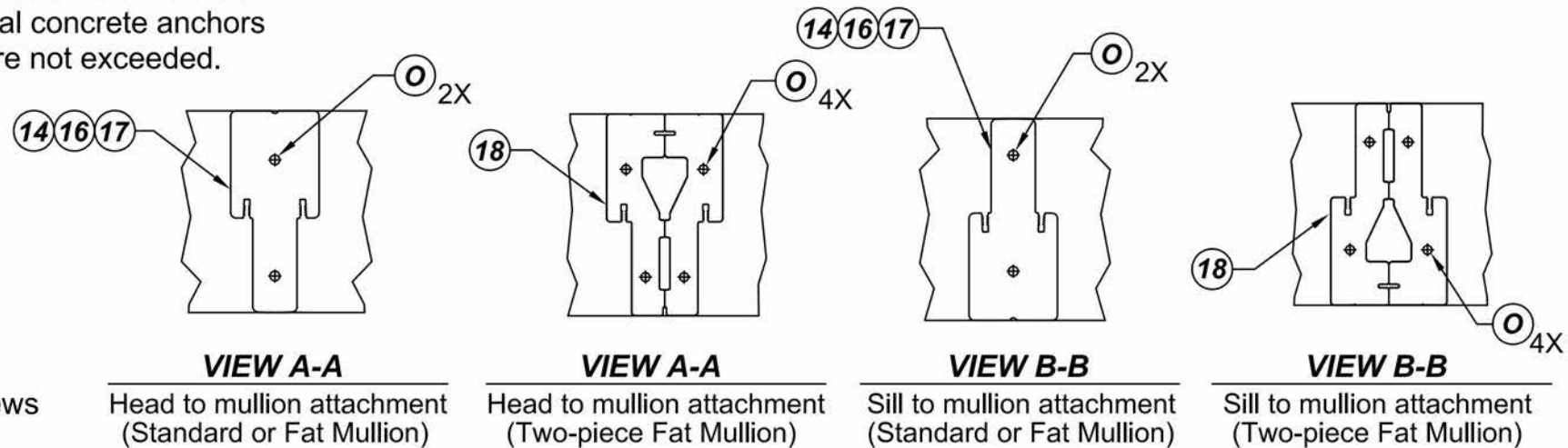
CONCRETE ANCHOR NOTES:

- Concrete anchor locations noted as "MAX ON CENTER" and at the corners must be adjusted to maintain min. edge distance to mortar joints. Additional concrete anchors may be required to ensure the "MAX ON CENTER" dimensions are not exceeded.

ANCHOR TYPE	ANCHOR SIZE	MIN. EMBEDMENT	MIN. CLEARANCE TO MASONRY EDGE	MIN CLEARANCE TO ADJUSTMENT ANCHOR
ITW BUILDEX TAPCON®	1/4"	1-1/4"	2"	4"
ELCO ULTRACON®	1/4"	1-1/4"	1"	4"
ITW BUILDEX TAPCON®	3/16"	1-1/4"	3"	1-1/2"

WOOD SCREW INSTALLATION NOTES:

- Maintain a min. 5/8" edge distance, & 1" o.c. spacing of wood screws to prevent splitting of wood.



REVISIONS

NO.	DESCRIPTION	BY	DATE



DATE: 07.14.16	DWN BY: LS	CHK BY: HFN	SCALE: NTS
----------------	------------	-------------	------------

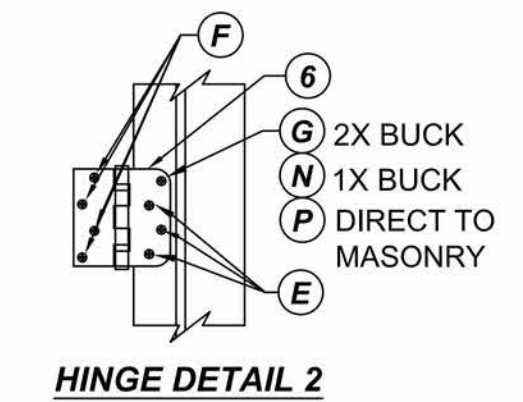
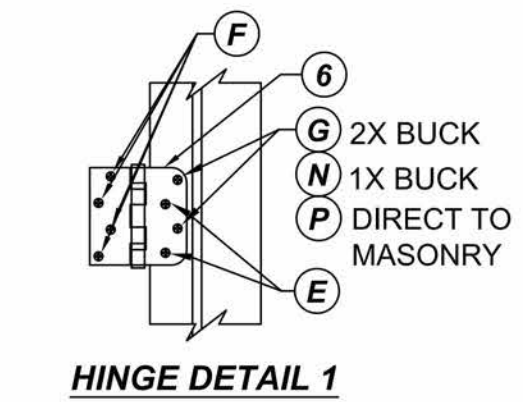
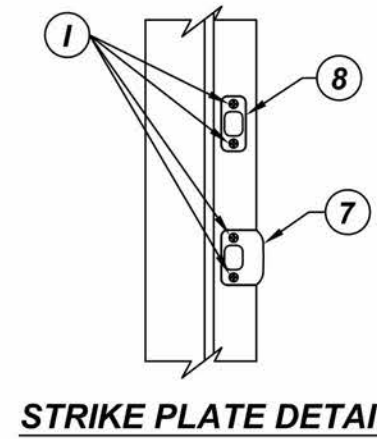
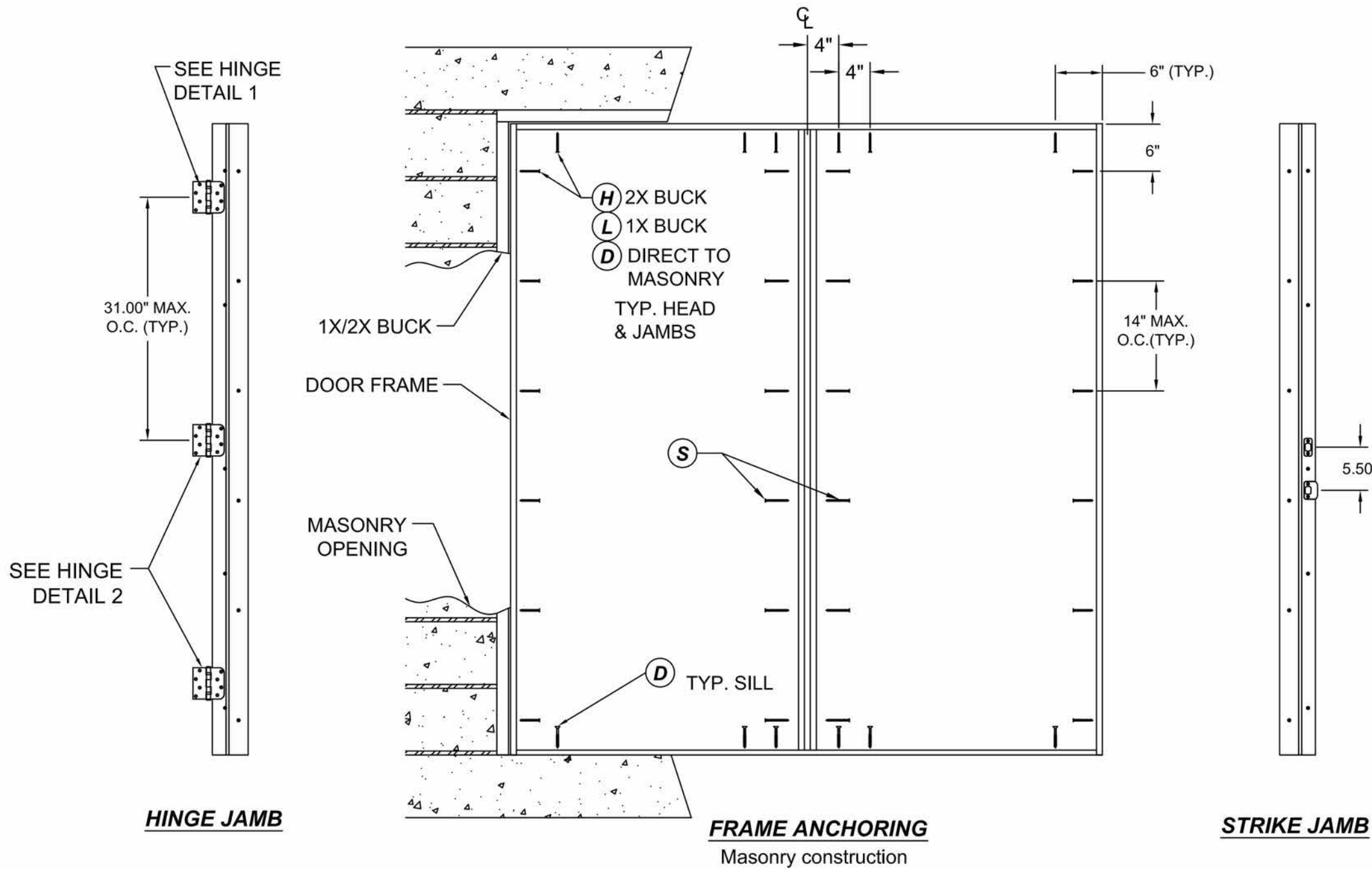
DWG #: **FL-20867.1**

SHEET: **18 OF 29**

TITLE: GLAZED FIBERGLASS DOOR
IMPACT OUTSWING

FRAME ANCHORING

PREPARED BY:
BUILDING DROPS, INC.
398 E. DANIA BEACH BLVD. #338
DANIA BEACH, FL 33004
PH: (954) 399-8478 FX: (954) 744-4738



CONCRETE ANCHOR NOTES:

- Concrete anchor locations noted as "MAX ON CENTER" and at the corners must be adjusted to maintain min. edge distance to mortar joints. Additional concrete anchors may be required to ensure the "MAX ON CENTER" dimensions are not exceeded.
- Concrete anchor table:

ANCHOR TYPE	ANCHOR SIZE	MIN. EMBEDMENT	MIN. CLEARANCE TO MASONRY EDGE	MIN CLEARANCE TO ADJUSTMENT ANCHOR
ITW BUILDDEX TAPCON®	1/4"	1-1/4"	2"	4"
ELCO ULTRACON®	1/4"	1-1/4"	1"	4"
ITW BUILDDEX TAPCON®	3/16"	1-1/4"	3"	1-1/2"

WOOD SCREW INSTALLATION NOTES:

- Maintain a min. 5/8" edge distance, & 1" o.c. spacing of wood screws to prevent splitting of wood.

REVISIONS

NO.	DESCRIPTION	BY	DATE



DATE: 07.14.16
DWN BY: LS
CHK BY: HFN
SCALE: NTS

DWG #: **FL-20867.1**
SHEET: **19 OF 29**

TITLE: GLAZED FIBERGLASS DOOR
IMPACT OUTSWING

FRAME ANCHORING

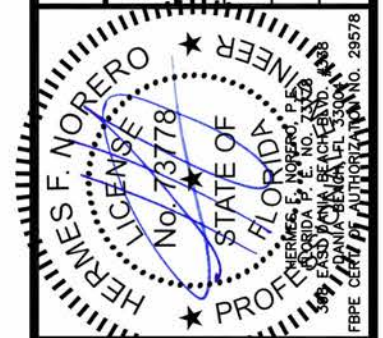
PREPARED BY:

BUILDING DROPS, INC.
398 E. DANIA BEACH BLVD. #338
DANIA BEACH, FL 33004

PH: (954) 399-8478 FX: (954) 744-4738

REVISIONS

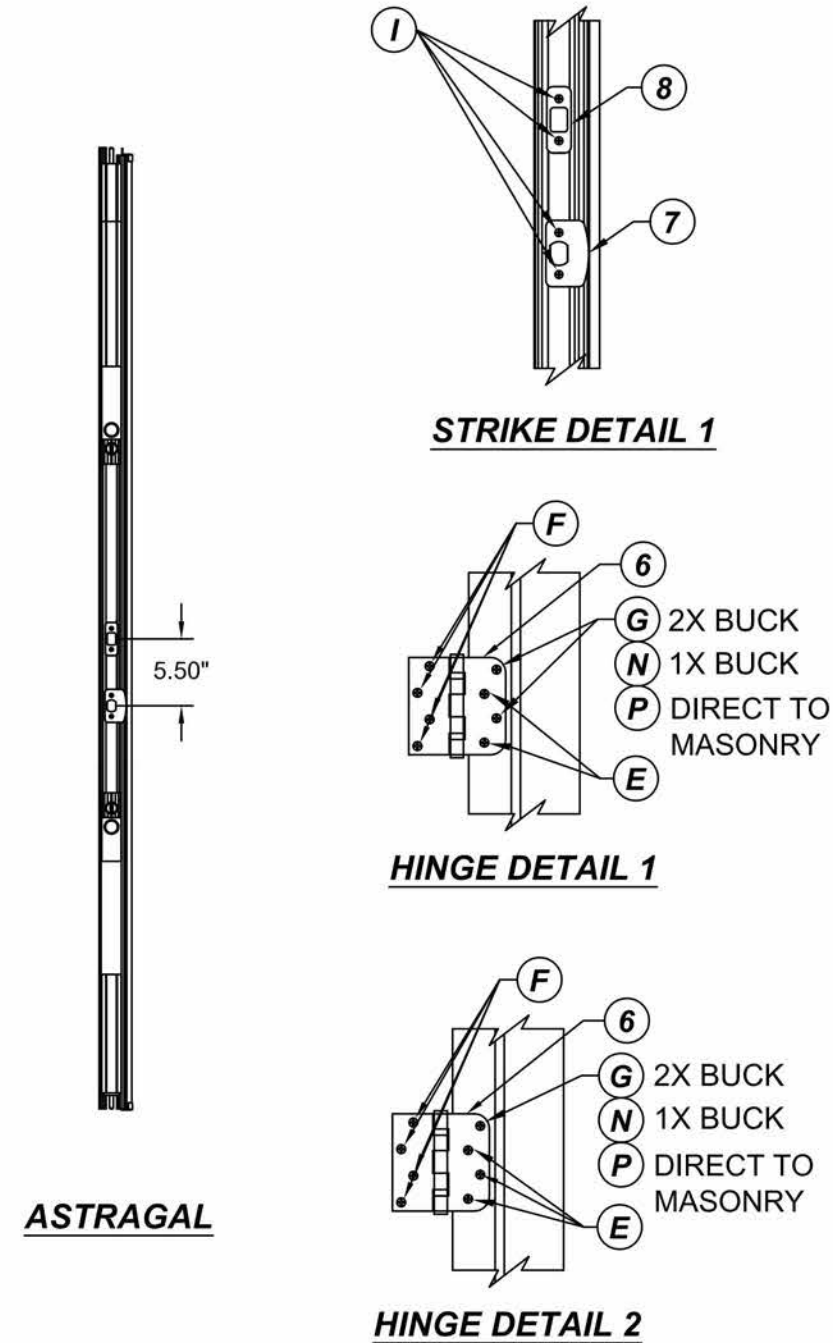
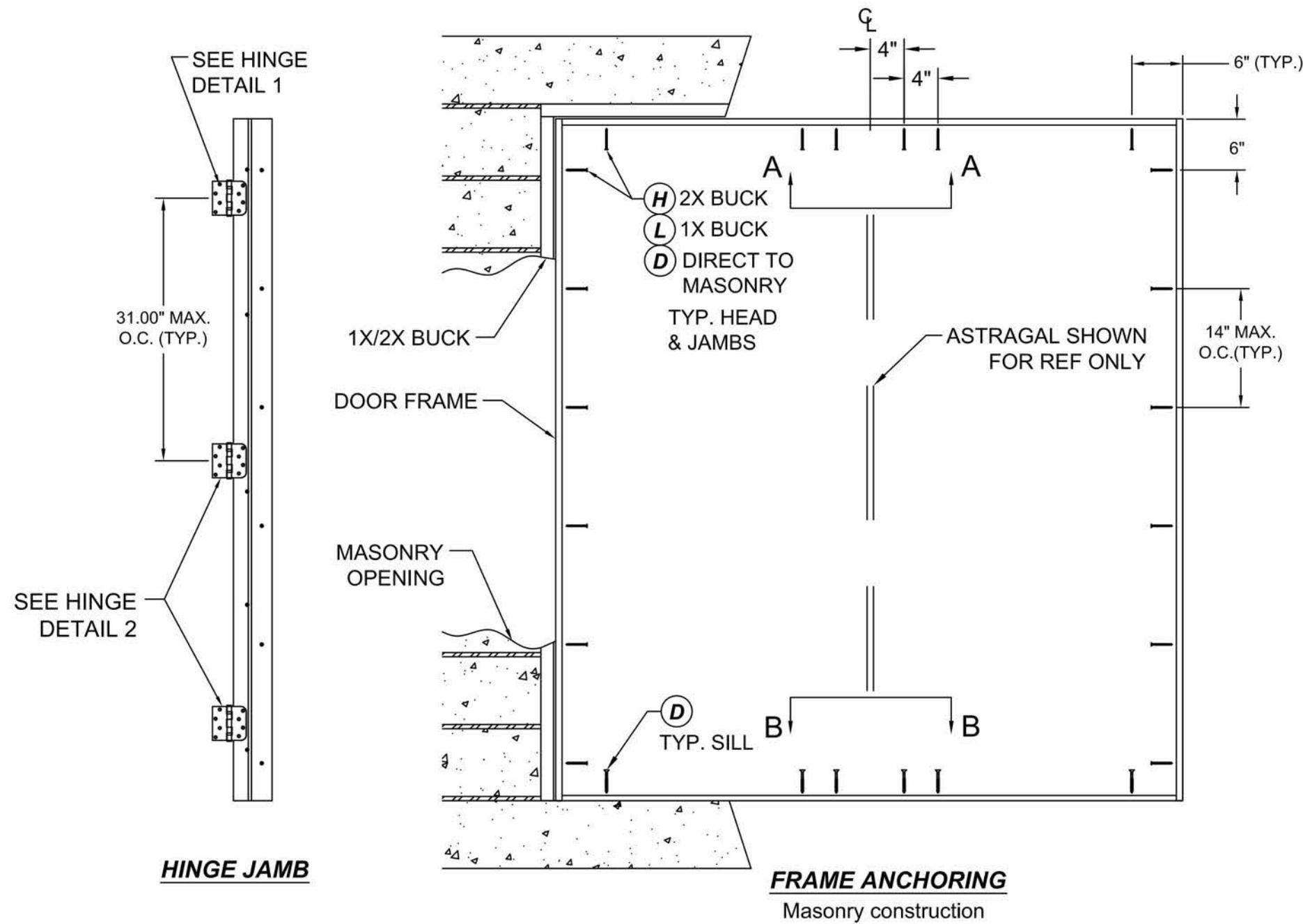
NO.	DESCRIPTION	BY	DATE



DATE: 07.14.16
DWN BY: LS
CHK BY: HFN
SCALE: NTS

DWG #: FL-20867.1

SHEET: 20 OF 29



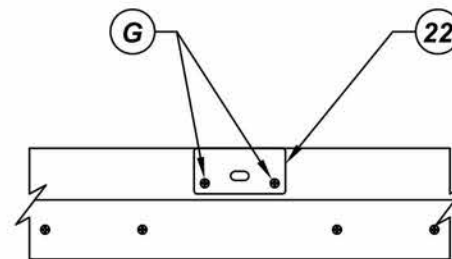
CONCRETE ANCHOR NOTES:

- Concrete anchor locations noted as "MAX ON CENTER" and at the corners must be adjusted to maintain min. edge distance to mortar joints. Additional concrete anchors may be required to ensure the "MAX ON CENTER" dimensions are not exceeded.

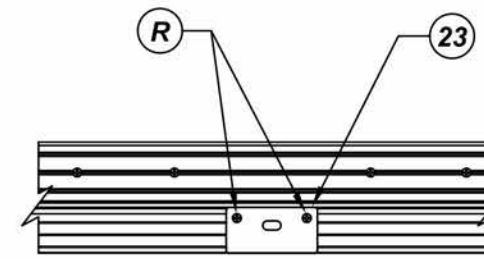
ANCHOR TYPE	ANCHOR SIZE	MIN. EMBEDMENT	MIN. CLEARANCE TO MASONRY EDGE	MIN CLEARANCE TO ADJUSTMENT ANCHOR
ITW BUILDEX TAPCON®	1/4"	1-1/4"	2"	4"
ELCO ULTRACON®	1/4"	1-1/4"	1"	4"
ITW BUILDEX TAPCON®	3/16"	1-1/4"	3"	1-1/2"

WOOD SCREW INSTALLATION NOTES:

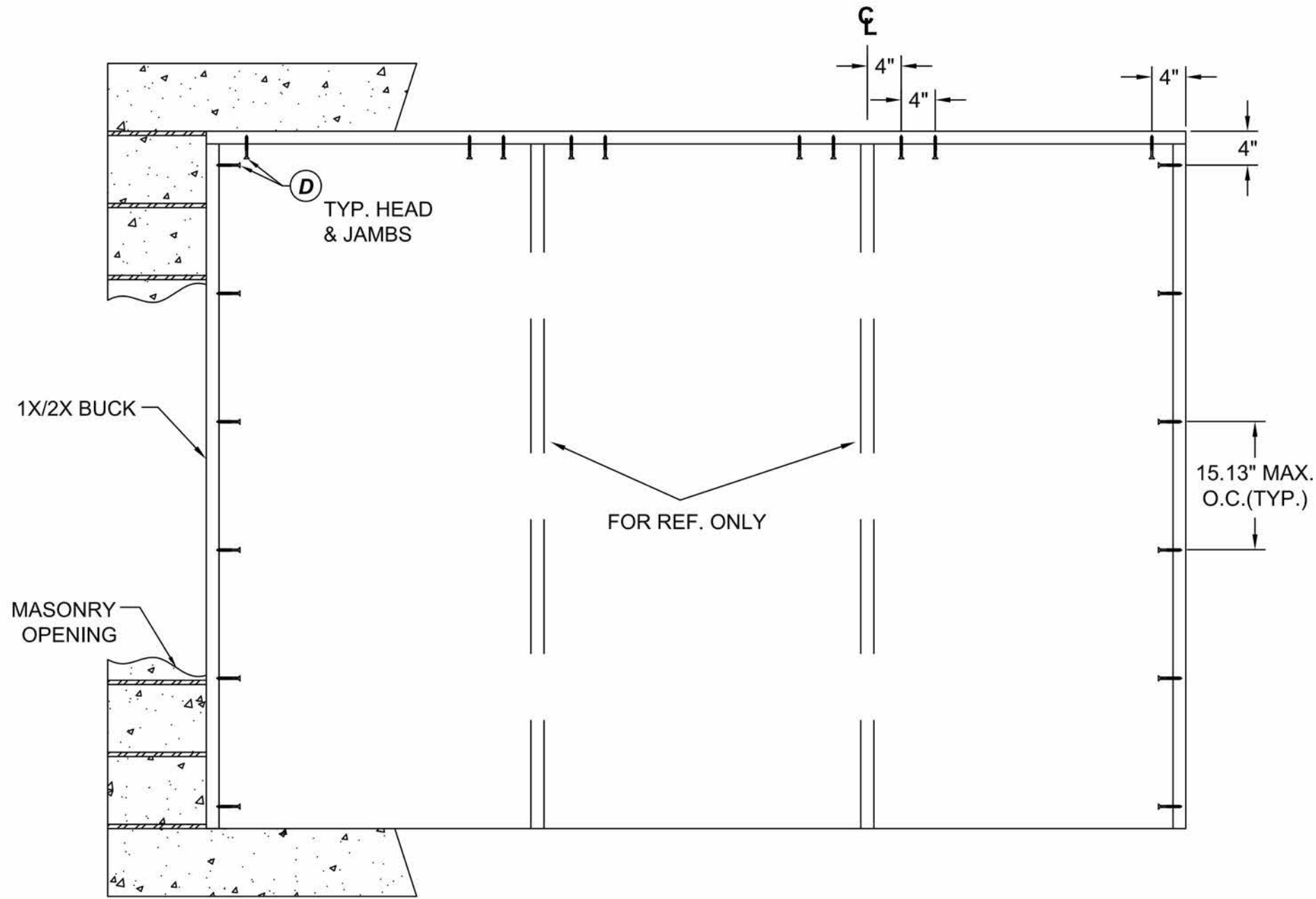
- Maintain a min. 5/8" edge distance, & 1" o.c. spacing of wood screws to prevent splitting of wood.



VIEW A-A
Astragal Strike @ Head



VIEW B-B
Astragal Strike @ Sill



BUCK ANCHORING

FOR OXO CONFIGURATIONS

CONCRETE ANCHOR NOTES:

- Concrete anchor locations noted as "MAX ON CENTER" and at the corners must be adjusted to maintain min. edge distance to mortar joints. Additional concrete anchors may be required to ensure the "MAX ON CENTER" dimensions are not exceeded.
- Concrete anchor table:

ANCHOR TYPE	ANCHOR SIZE	MIN. EMBEDMENT	MIN. CLEARANCE TO MASONRY EDGE	MIN CLEARANCE TO ADJUSTMENT ANCHOR
ITW BUILDEX TAPCON®	1/4"	1-1/4"	2"	4"
ELCO ULTRACON®	1/4"	1-1/4"	1"	4"
ITW BUILDEX TAPCON®	3/16"	1-1/4"	3"	1-1/2"

WOOD SCREW INSTALLATION NOTES:

- Maintain a min. 5/8" edge distance, & 1" o.c. spacing of wood screws to prevent splitting of wood.

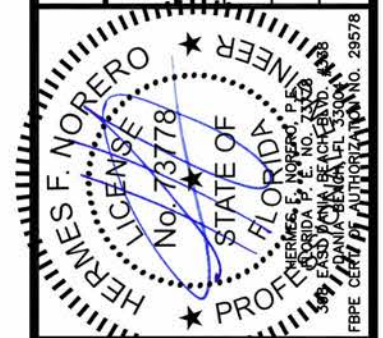
TITLE: GLAZED FIBERGLASS DOOR
IMPACT OUTSWING

BUCK ANCHORING

PREPARED BY:
BUILDING DROPS, INC.
398 E. DANIA BEACH BLVD. #338
DANIA BEACH, FL 33004
PH: (954) 399-8478 FX: (954) 744-4738

REVISIONS

NO.	DESCRIPTION	BY	DATE



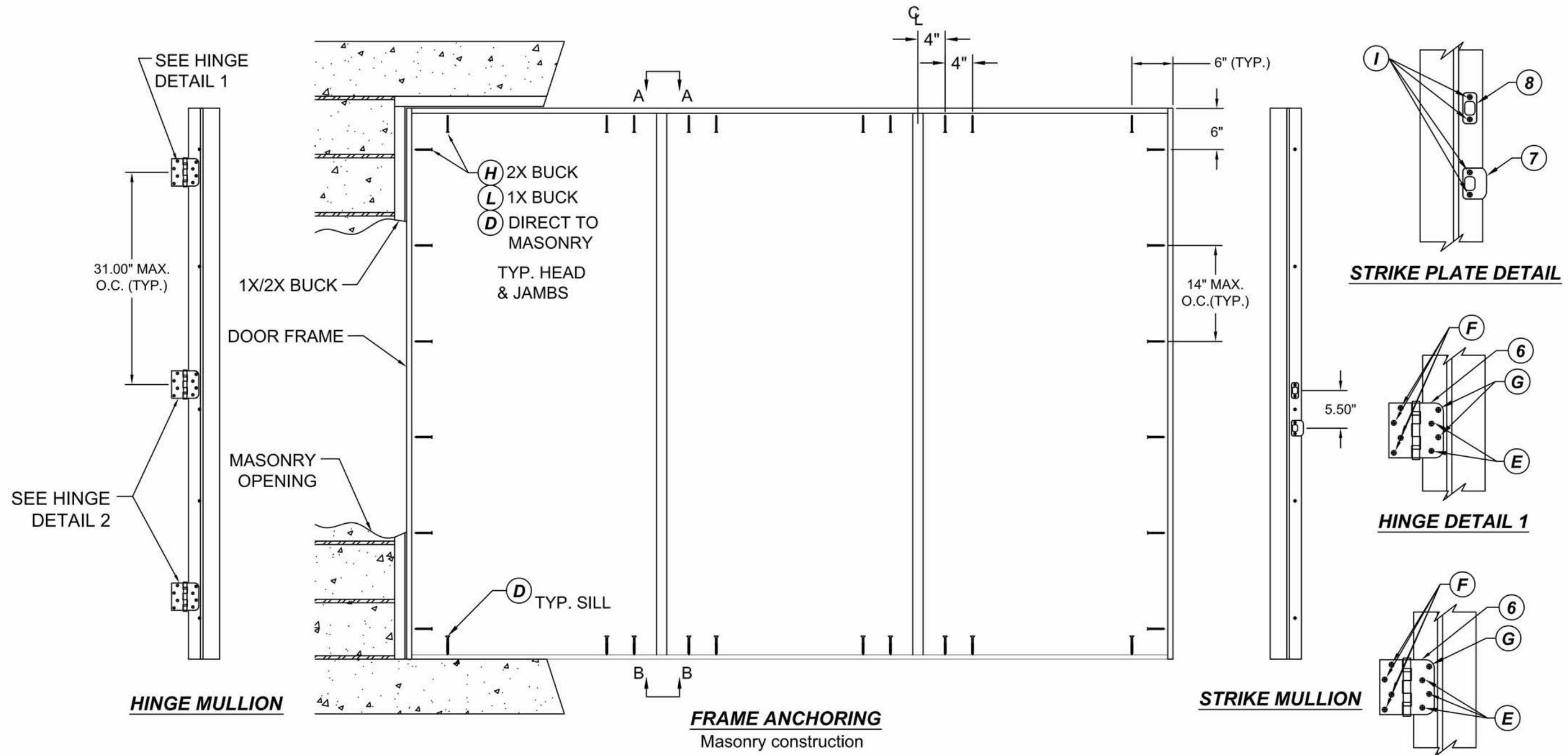
DATE: 07.14.16
DWN BY: LS
CHK BY: HFN
SCALE: NTS

DWG #: **FL-20867.1**
SHEET: **21 OF 29**

TITLE: GLAZED FIBERGLASS DOOR
IMPACT OUTSWING

FRAME ANCHORING

PREPARED BY:
BUILDING DROPS, INC.
398 E. DANIA BEACH BLVD. #338
DANIA BEACH, FL 33004
PH: (954) 399-8478 FX: (954) 744-4738



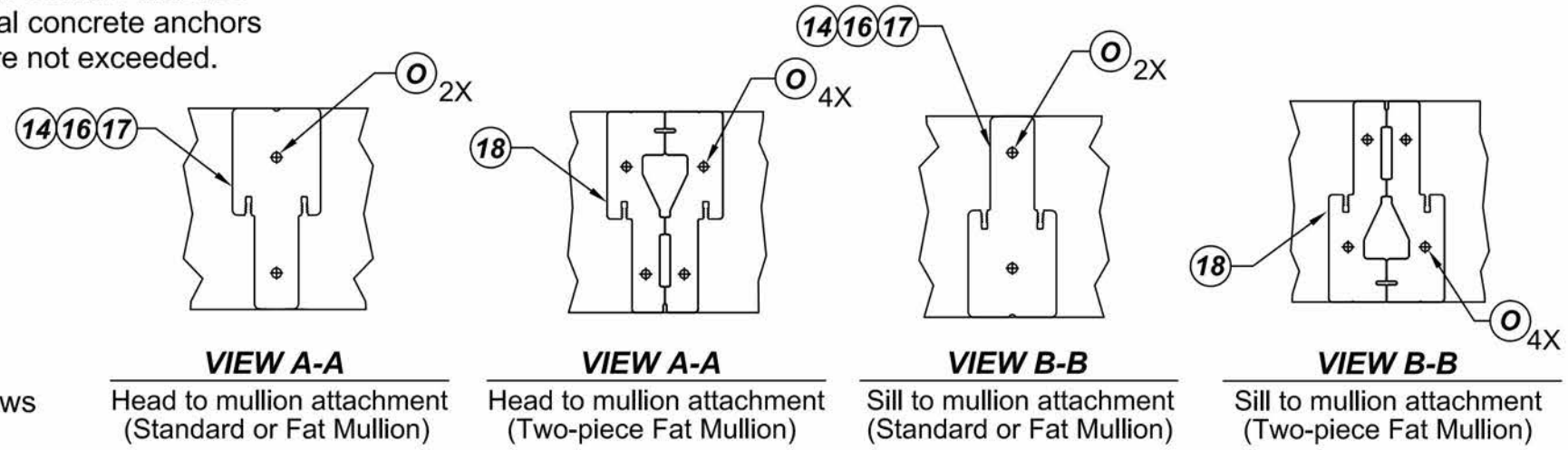
CONCRETE ANCHOR NOTES:

1. Concrete anchor locations noted as "MAX ON CENTER" and at the corners must be adjusted to maintain min. edge distance to mortar joints. Additional concrete anchors may be required to ensure the "MAX ON CENTER" dimensions are not exceeded.

ANCHOR TYPE	ANCHOR SIZE	MIN. EMBEDMENT	MIN. CLEARANCE TO MASONRY EDGE	MIN CLEARANCE TO ADJUSTMENT ANCHOR
ITW BUILDEX TAPCON®	1/4"	1-1/4"	2"	4"
ELCO ULTRACON®	1/4"	1-1/4"	1"	4"
ITW BUILDEX TAPCON®	3/16"	1-1/4"	3"	1-1/2"

WOOD SCREW INSTALLATION NOTES:

1. Maintain a min. 5/8" edge distance, & 1" o.c. spacing of wood screws to prevent splitting of wood.



REVISIONS

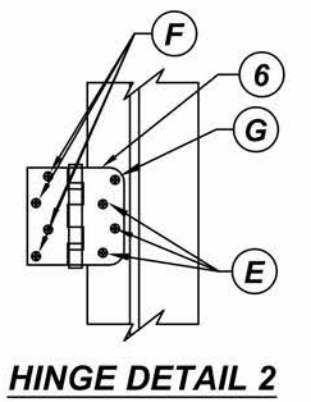
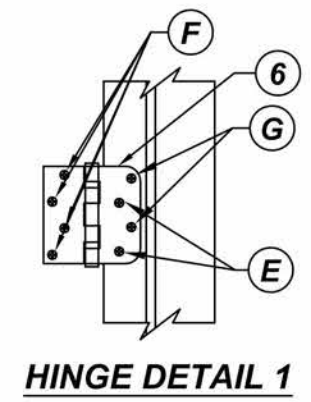
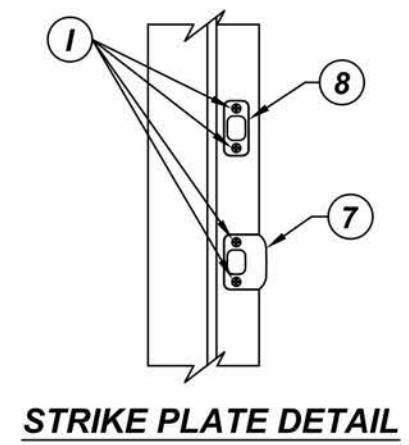
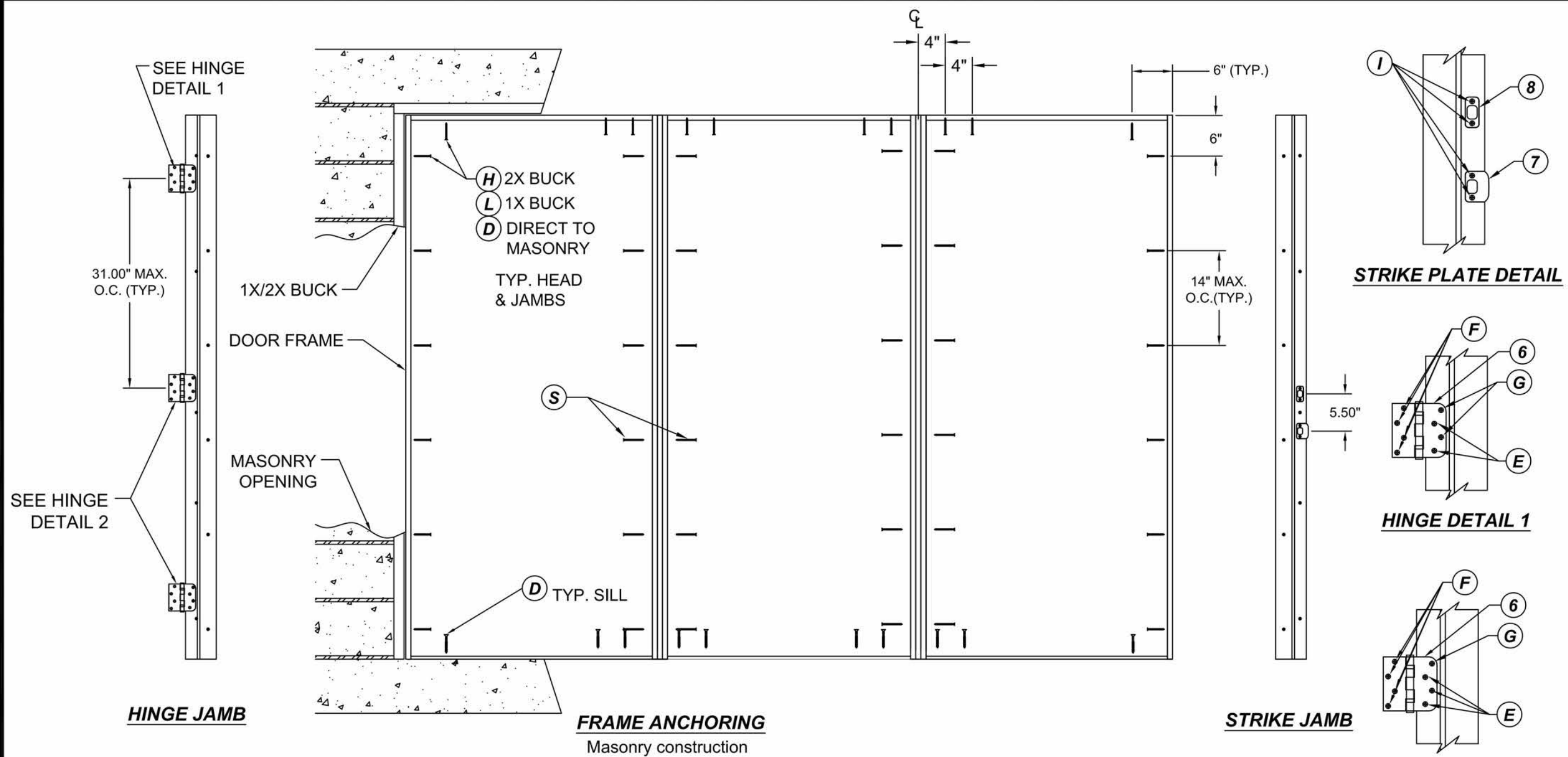
NO.	DESCRIPTION	BY DATE	
		BY	DATE



DATE: 07.14.16
DWN BY: LS
CHK BY: HFN
SCALE: NTS

DWG #: **FL-20867.1**
SHEET: **22 OF 29**

TITLE: GLAZED FIBERGLASS DOOR IMPACT OUTSWING
 FRAME ANCHORING
 PREPARED BY:
 BUILDING DROPS, INC.
 398 E. DANIA BEACH BLVD. #3338
 DANIA BEACH, FL 33004
 PH: (954) 399-8478 FX: (954) 744-4738



CONCRETE ANCHOR NOTES:

- Concrete anchor locations noted as "MAX ON CENTER" and at the corners must be adjusted to maintain min. edge distance to mortar joints. Additional concrete anchors may be required to ensure the "MAX ON CENTER" dimensions are not exceeded.

ANCHOR TYPE	ANCHOR SIZE	MIN. EMBEDMENT	MIN. CLEARANCE TO MASONRY EDGE	MIN CLEARANCE TO ADJUSTMENT ANCHOR
ITW BUILDEX TAPCON®	1/4"	1-1/4"	2"	4"
ELCO ULTRACON®	1/4"	1-1/4"	1"	4"
ITW BUILDEX TAPCON®	3/16"	1-1/4"	3"	1-1/2"

WOOD SCREW INSTALLATION NOTES:

- Maintain a min. 5/8" edge distance, & 1" o.c. spacing of wood screws to prevent splitting of wood.

REVISIONS

NO.	DESCRIPTION	BY	DATE



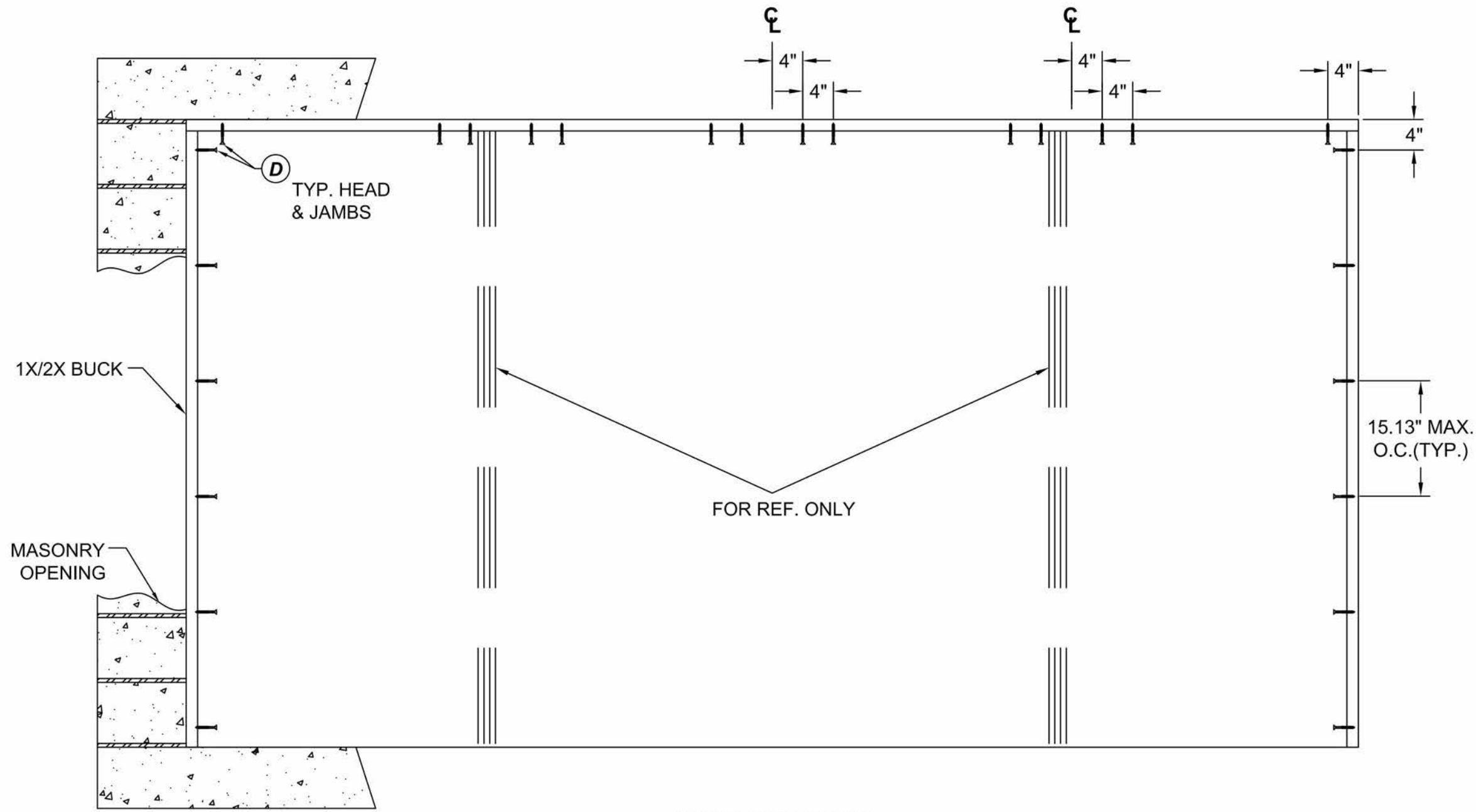
DATE: 07.14.16
 DWN BY: LS
 CHK BY: HFN
 SCALE: NTS

DWG #: **FL-20867.1**
 SHEET: **23 OF 29**

TITLE: GLAZED FIBERGLASS DOOR
IMPACT OUTSWING

BUCK ANCHORING

PREPARED BY:
BUILDING DROPS, INC.
398 E. DANIA BEACH BLVD. #338
DANIA BEACH, FL 33004
PH: (954) 399-8478 FX: (954) 744-4738



BUCK ANCHORING

**FOR OXXO
CONFIGURATIONS**

CONCRETE ANCHOR NOTES:

- Concrete anchor locations noted as "MAX ON CENTER" and at the corners must be adjusted to maintain min. edge distance to mortar joints. Additional concrete anchors may be required to ensure the "MAX ON CENTER" dimensions are not exceeded.
- Concrete anchor table:

ANCHOR TYPE	ANCHOR SIZE	MIN. EMBEDMENT	MIN. CLEARANCE TO MASONRY EDGE	MIN CLEARANCE TO ADJUSTMENT ANCHOR
ITW BUILDEX TAPCON®	1/4"	1-1/4"	2"	4"
ELCO ULTRACON®	1/4"	1-1/4"	1"	4"
ITW BUILDEX TAPCON®	3/16"	1-1/4"	3"	1-1/2"

WOOD SCREW INSTALLATION NOTES:

- Maintain a min. 5/8" edge distance, & 1" o.c. spacing of wood screws to prevent splitting of wood.

REVISIONS

NO.	DESCRIPTION	BY	DATE



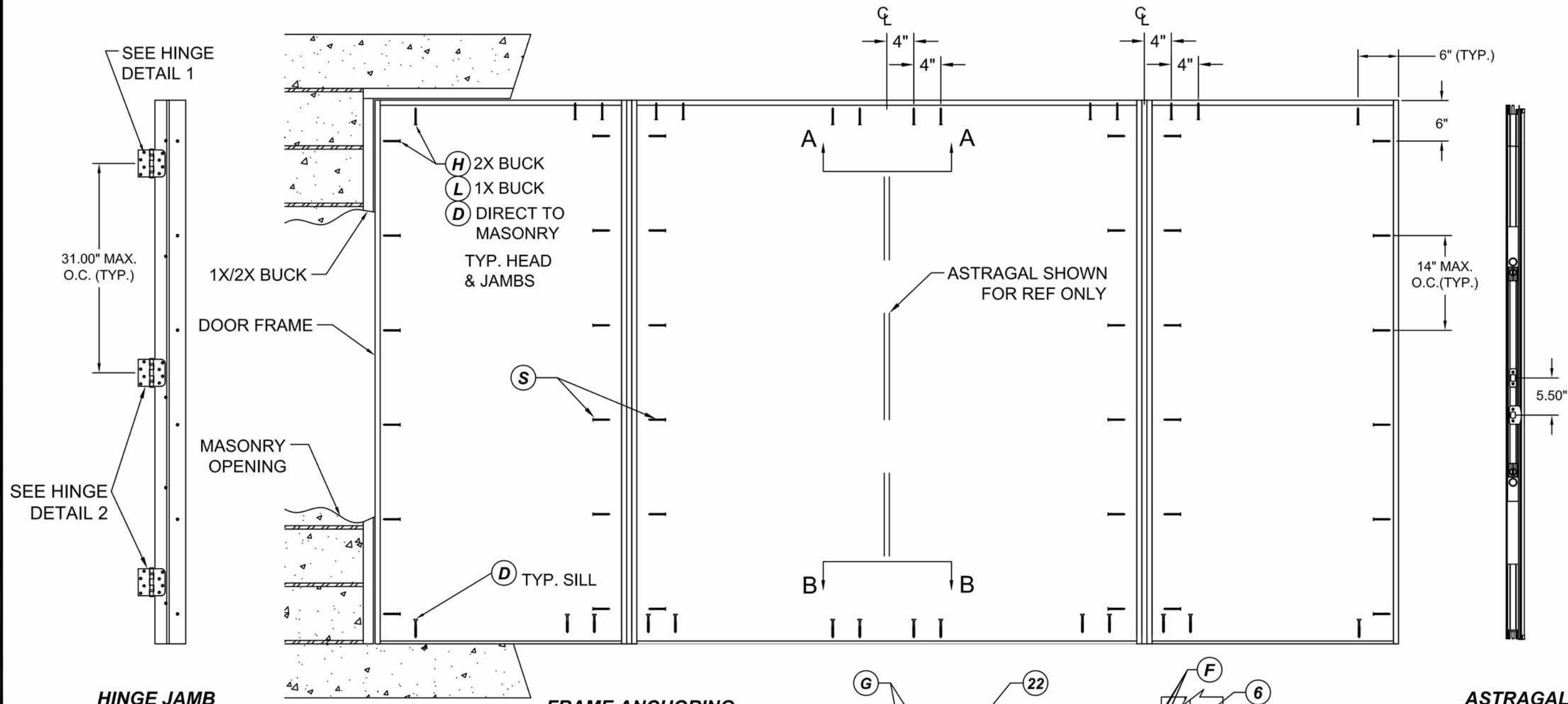
DATE: 07.14.16
DWN BY: LS
CHK BY: HFN
SCALE: NTS

DWG #: **FL-20867.1**
SHEET: **24 OF 29**

TITLE: GLAZED FIBERGLASS DOOR
IMPACT OUTSWING

FRAME ANCHORING

PREPARED BY:
BUILDING DROPS, INC.
398 E. DANIA BEACH BLVD. #338
DANIA BEACH, FL 33004
PH: (954) 399-8478 FX: (954) 744-4738



HINGE JAMB

FRAME ANCHORING
Masonry construction

ASTRAGAL

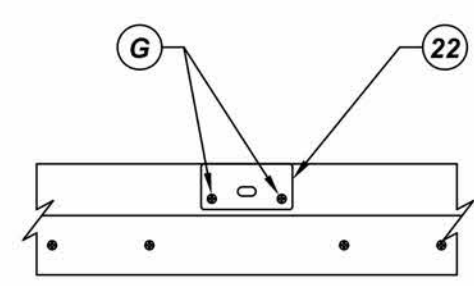
CONCRETE ANCHOR NOTES:

1. Concrete anchor locations noted as "MAX ON CENTER" and at the corners must be adjusted to maintain min. edge distance to mortar joints. Additional concrete anchors may be required to ensure the "MAX ON CENTER" dimensions are not exceeded.

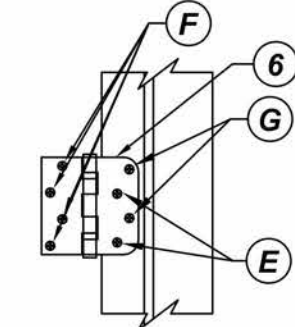
ANCHOR TYPE	ANCHOR SIZE	MIN. EMBEDMENT	MIN. CLEARANCE TO MASONRY EDGE	MIN CLEARANCE TO ADJUSTMENT ANCHOR
ITW BUILDEX TAPCON®	1/4"	1-1/4"	2"	4"
ELCO ULTRACON®	1/4"	1-1/4"	1"	4"
ITW BUILDEX TAPCON®	3/16"	1-1/4"	3"	1-1/2"

WOOD SCREW INSTALLATION NOTES:

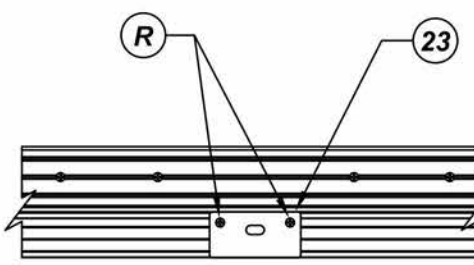
1. Maintain a min. 5/8" edge distance, & 1" o.c. spacing of wood screws to prevent splitting of wood.



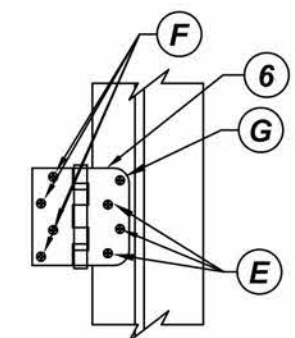
VIEW A-A
Astragal Strike @ Head



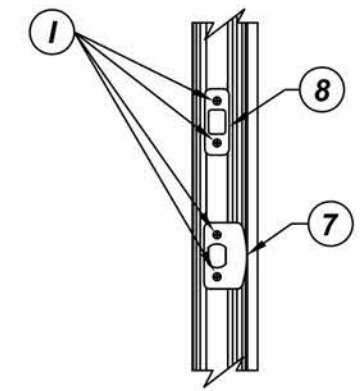
HINGE DETAIL 1



VIEW B-B
Astragal Strike @ Sill



HINGE DETAIL 2



STRIKE DETAIL 1

REVISIONS

NO.	DESCRIPTION	BY DATE	
		BY	DATE



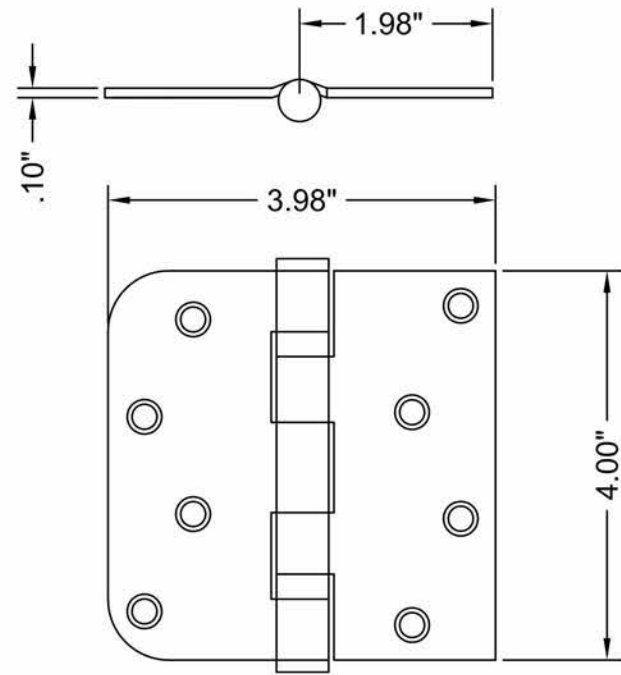
DATE: 07.14.16
DWN BY: LS
CHK BY: HFN
SCALE: NTS

DWG #: **FL-20867.1**
SHEET: **25 OF 29**

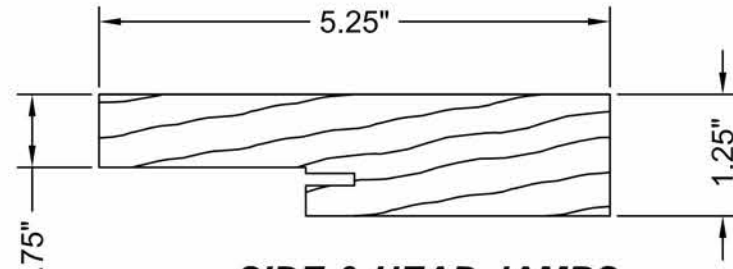
TITLE: GLAZED FIBERGLASS DOOR
IMPACT OUTSWING

COMPONENTS

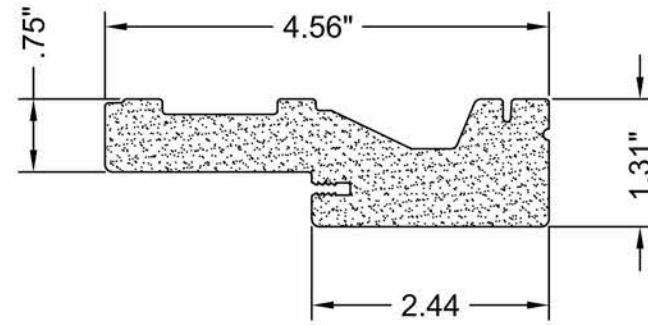
PREPARED BY:
BUILDING DROPS, INC.
398 E. DANIA BEACH BLVD. #338
DANIA BEACH, FL 33004
PH: (954) 399-8478 FX: (954) 744-4738



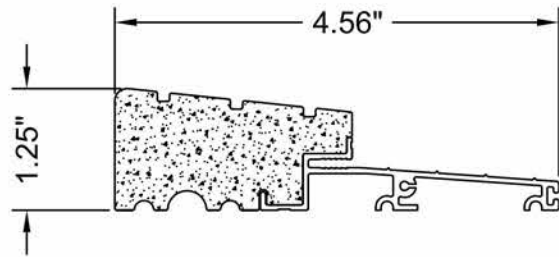
6 HINGE
MATERIAL: STEEL



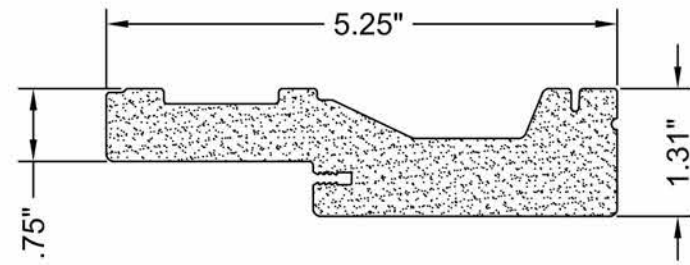
1A SIDE & HEAD JAMBS
(5-1/4" or larger)
MATERIAL: WOOD



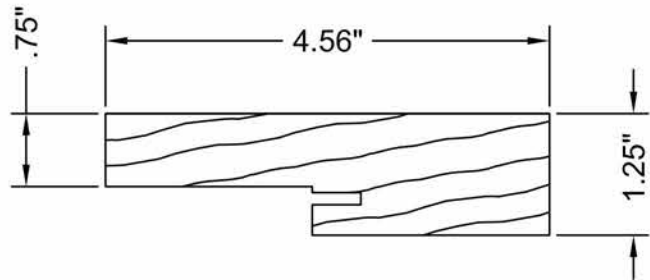
2 SIDE & HEAD JAMBS
MATERIAL: PVC



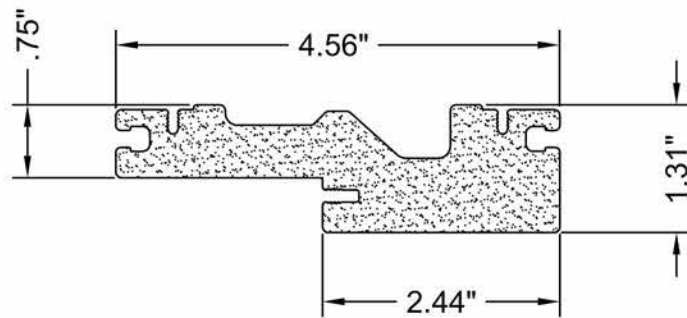
10 OUTSWING SILL
ALUMINUM WITH PVC SUBSTRATE



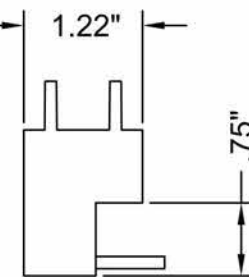
2A SIDE & HEAD JAMBS
(5-1/4" or larger)
MATERIAL: PVC



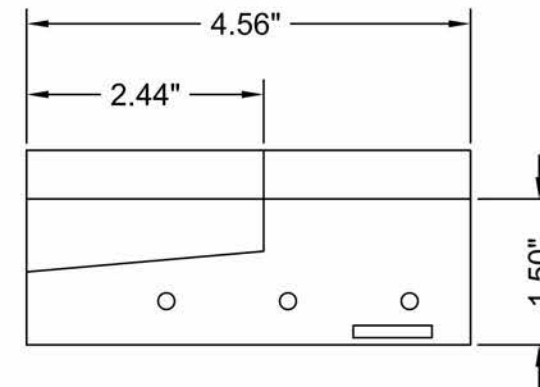
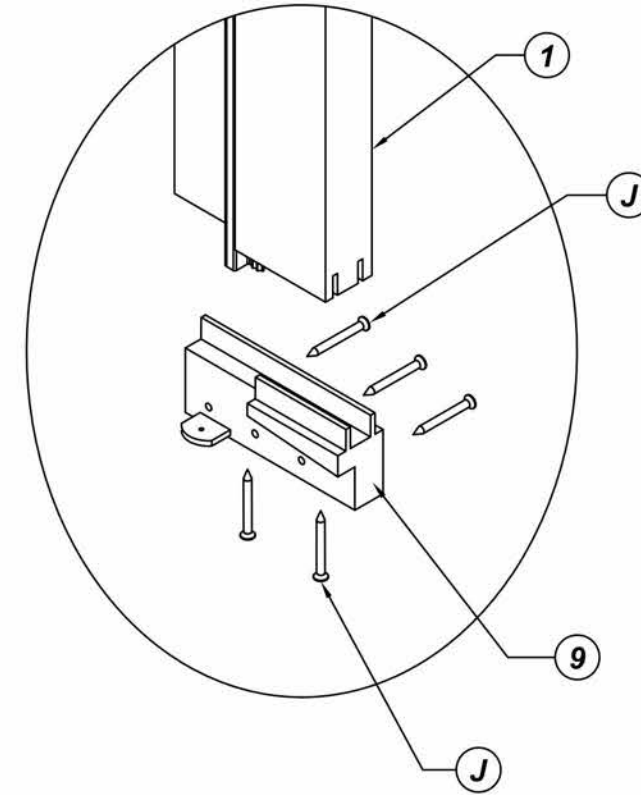
1 SIDE & HEAD JAMBS
MATERIAL: WOOD



3 SIDE & HEAD JAMBS
MATERIAL: PVC



9 SILL KEY DETAIL
OPTIONAL



REVISIONS

NO.	DESCRIPTION	BY	DATE



DATE: 07.14.16
DWN BY: LS
CHK BY: HFN
SCALE: NTS

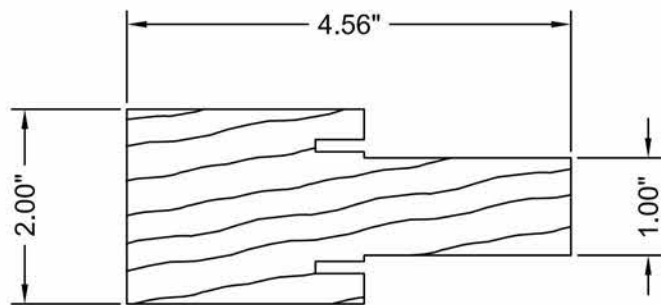
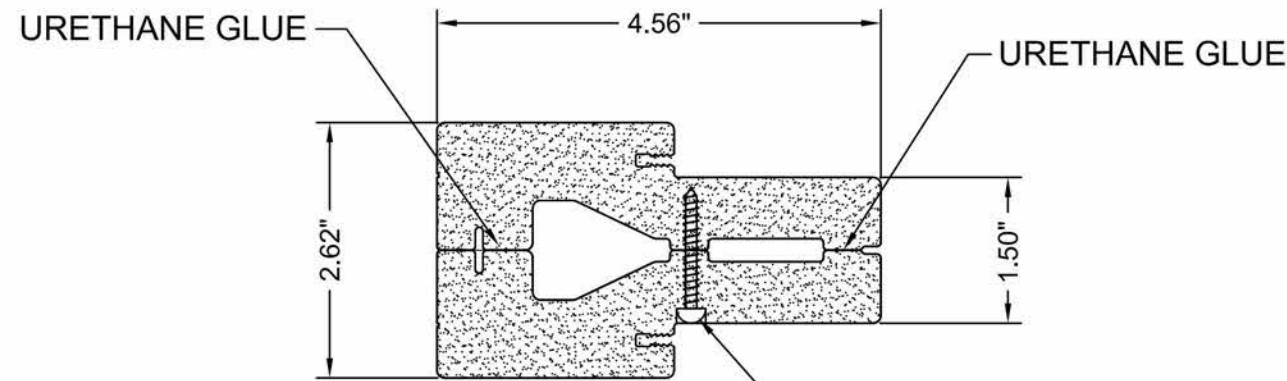
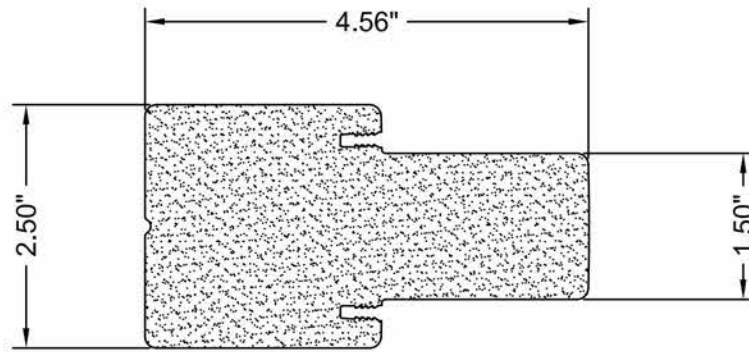
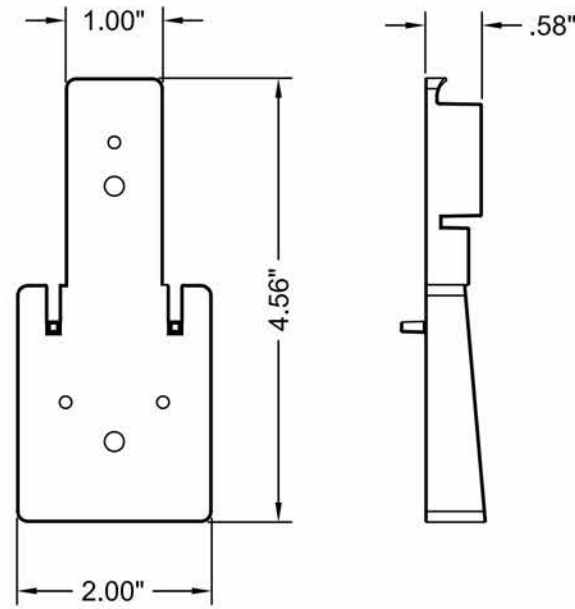
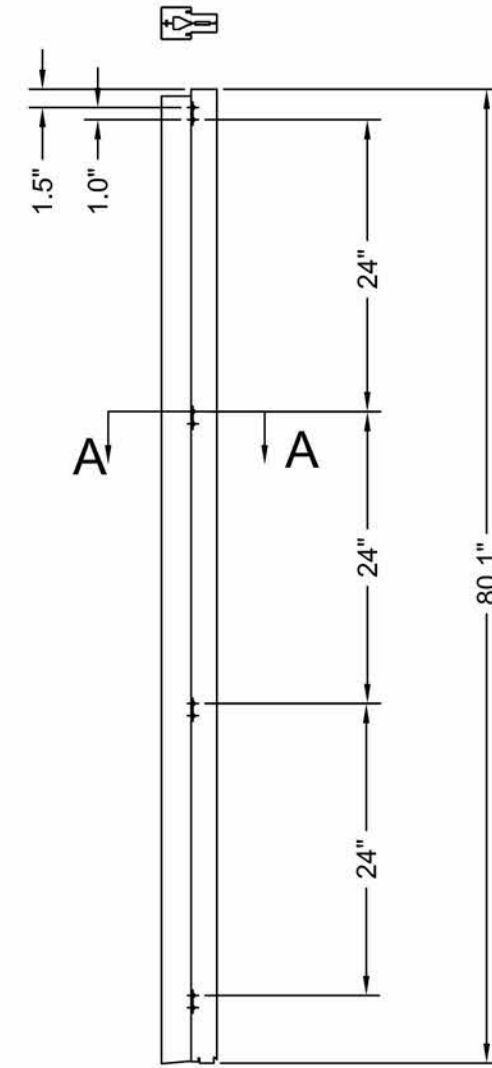
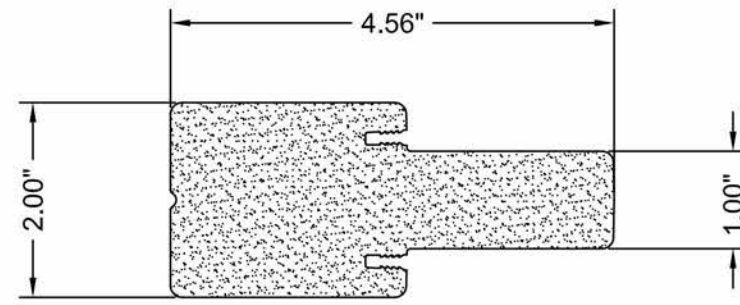
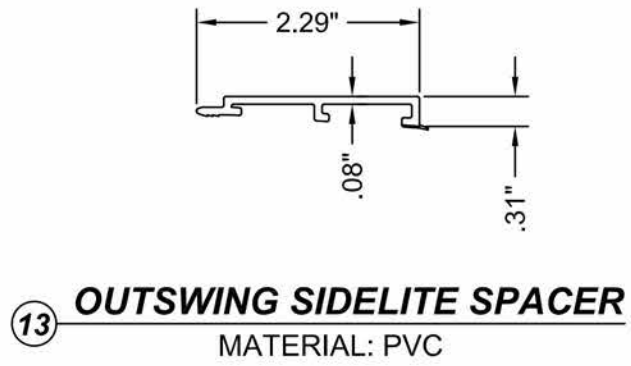
DWG #: FL-20867.1

SHEET: 26 OF 29

TITLE: GLAZED FIBERGLASS DOOR
IMPACT OUTSWING

COMPONENTS

PREPARED BY:
BUILDING DROPS, INC.
398 E. DANIA BEACH BLVD. #338
DANIA BEACH, FL 33004
PH: (954) 399-8478 FX: (954) 744-4738



#8x1 1/4" PRH WS (4 NEAR SIDE)
#8x1 1/4" PRH WS (4 FAR SIDE)

REVISIONS		DESCRIPTION	BY	DATE
NO.				



DATE: 07.14.16
DWN BY: LS
CHK BY: HFN
SCALE: NTS

DWG #: **FL-20867.1**
SHEET: **27 OF 29**

TITLE: GLAZED FIBERGLASS DOOR
IMPACT OUTSWING

COMPONENTS
PREPARED BY:
BUILDING DROPS, INC.
398 E. DANIA BEACH BLVD. #338
DANIA BEACH, FL 33004
PH: (954) 399-8478 FX: (954) 744-4738

REVISIONS

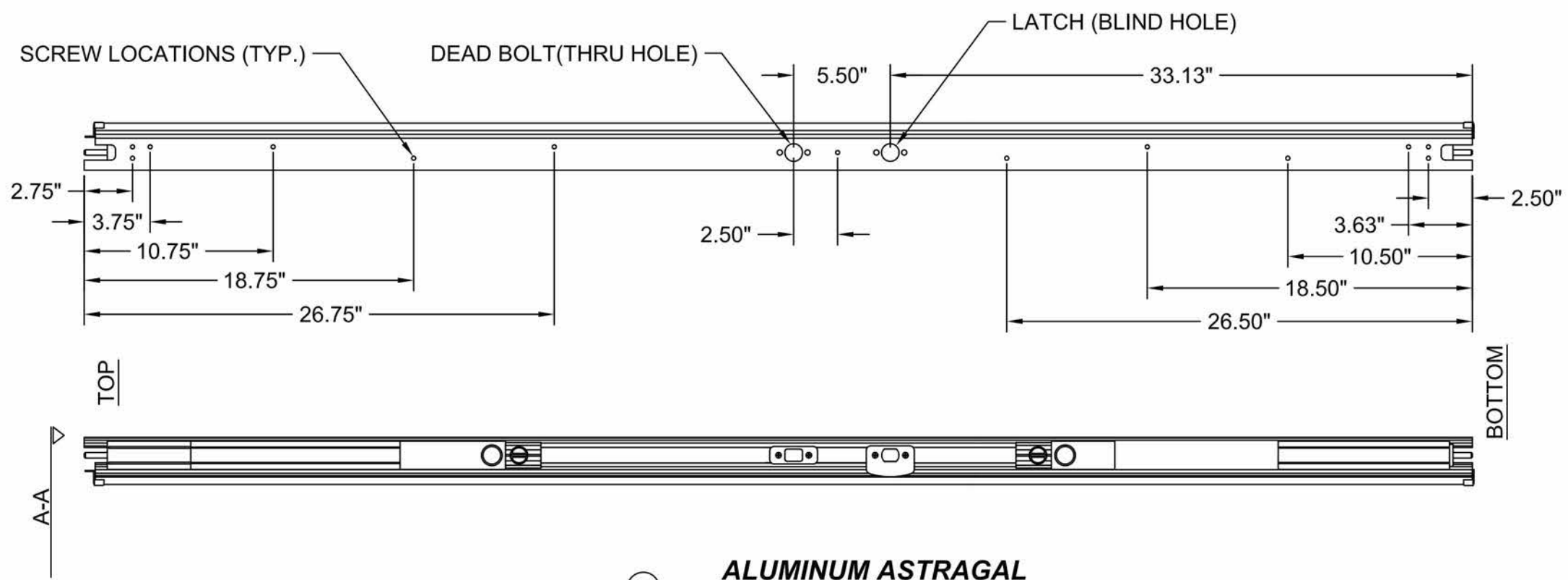
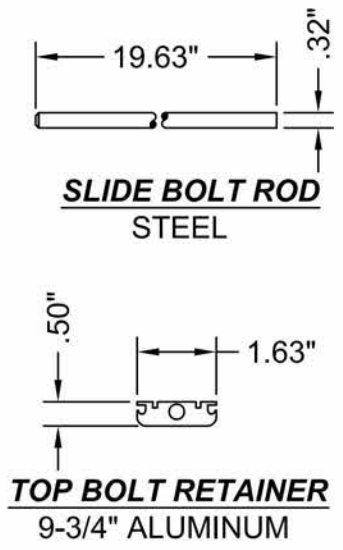
NO.	DESCRIPTION	BY	DATE



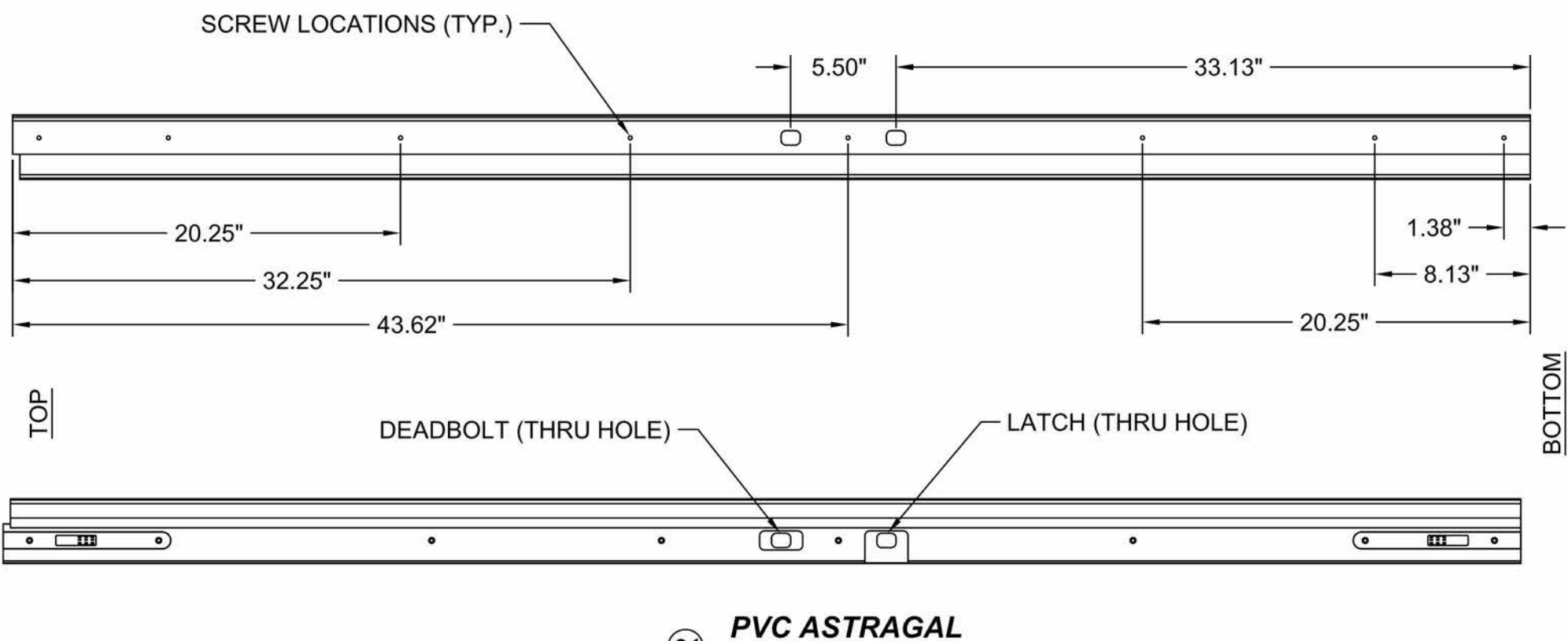
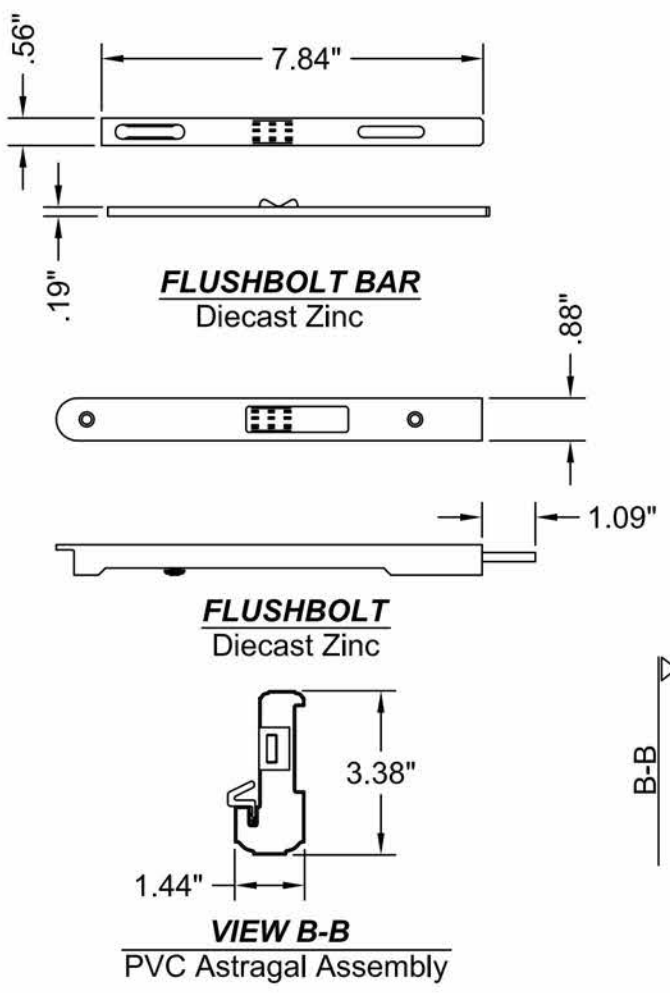
DATE:	07.14.16
DWN BY:	LS
CHK BY:	HFN
SCALE:	NTS

DWG #: **FL-20867.1**

SHEET: **28 OF 29**



20 ALUMINUM ASTRAGAL
6'8 Aluminum Astragal by Endura Products



21 PVC ASTRAGAL
6'8 PVC Astragal by Trinity

BILL OF MATERIAL

ITEM #	DESCRIPTION	MATERIAL
A	1X BUCK SG>=0.55	WOOD
B	2X BUCK SG>=0.55	WOOD
C	1/4" MAX. SHIM SPACE	-
D	1/4" X 2-3/4" PFH ELCO OR ITW CONCRETE SCREW	STEEL
E	#9 X 3/4" PFH WS	STEEL
F	#9 X 1" PFH WS	STEEL
G	#9 X 2-1/4" PFH WS	STEEL
H	#10 X 2-1/2" PFH WS	STEEL
I	#8 X 2" PFH WS	STEEL
J	#6 X 1-1/4" DRYWALL SCREW	STEEL
K	MASONRY - 3,000 PSI MIN. CONCRETE CONFORMING TO ACI 301 OR HOLLOW BLOCK CONFORMING TO ASTM C90	CONCRETE
L	1/4" X 3-3/4" PFH ELCO OR ITW CONCRETE SCREW	STEEL
M	1/4" X 3-1/4" PFH ELCO OR ITW CONCRETE SCREW	STEEL
N	3/16" X 3-1/4" PFH ELCO OR ITW CONCRETE SCREW	STEEL
O	#8 X 2-1/2" PFH WS	STEEL
P	3/16" X 2-1/4" PFH ELCO OR ITW CONCRETE SCREW	STEEL
Q	#8 X 1" PFH WS	STEEL
R	3/16" X 2-3/4" PFH ELCO OR ITW CONCRETE SCREW	STEEL
S	#10 X 3" PFH WS	STEEL
1	JAMB (FINGER-JOINT PINE - SG>=0.42)	WOOD
1A	JAMB (FINGER-JOINT PINE - SG>=0.42)	WOOD
2	JAMB	PVC
2A	JAMB	PVC
3	JAMB	PVC
5	WEATHER STRIP QEBD650 Q-LON	-
6	3.98" X 4.0" HINGE MIN 0.098" MIN THICK	STEEL
7	STRIKE PLATE	STEEL
8	DEADBOLT PLATE	STEEL
9	SILLKEY	PC/ASA
10	OUTSWING SILL - ALUMINUM WITH PVC SUBSTRATE	ALUM./PVC
11	DOOR PANEL - SEE DOOR PANEL CONSTRUCTION DETAILS SHEET	-
12	SIDELITE PANEL - SEE SIDELITE PANEL CONSTRUCTION DETAILS SHEET	-
13	OUTSWING SIDELITE SPACER	PVC
14	STANDARD MULLION (FINGER JOINT PINE SG>=0.42)	WOOD
15	MULLION BASE KIT	PC/ASA
16	STANDARD MULLION	PVC
17	"FAT" MULLION	PVC
18	TWO-PIECE "FAT" MULLION	PVC
19	1X MULLION	WOOD
20	ALUMINUM ASTRAGAL BY ENDURA PRODUCTS	ALUMINUM
21	PVC ASTRAGAL BY TRINITY	PVC
22	ASTRAGAL STRIKE @ HEAD	STEEL
23	ASTRAGAL STRIKE @ SILL	STEEL



TRINITY GLASS INTERNATIONAL
3365 1ST WAY S
FEDERAL WAY, WA 98003
PH: (253) 875-7300

TITLE: GLAZED FIBERGLASS DOOR
IMPACT OUTSWING
BILL OF MATERIALS
PREPARED BY:
BUILDING DROPS, INC.
398 E. DANIA BEACH BLVD. #338
DANIA BEACH, FL 33004
PH: (954) 399-8478 FX: (954) 744-4738

NO.	DESCRIPTION	BY	DATE



DATE: 07.14.16
DWN BY: LS
CHK BY: HFN
SCALE: NTS

DWG #: **FL-20867.1**
SHEET: **29 OF 29**